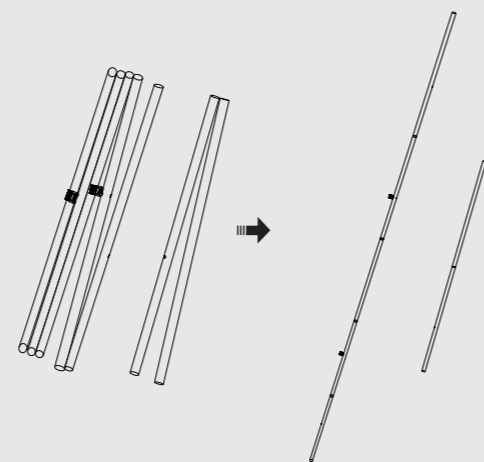
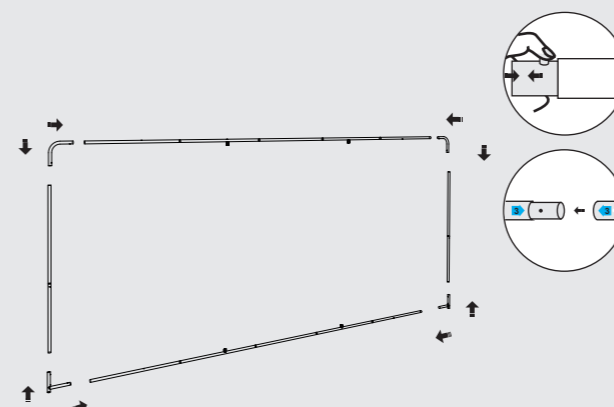


- a. Bungeed Tube horizontal (x2)
- b. Bungeed Tube Vertical (x2)
- c. Bungeed Support Pole (x2)
- d. L-shaped tube (x2)
- e. Curved Tube (x2)
- f. Base (x4)
- g. Allen wrench(x2)
- h. Longer screw (x2)
- i. Shorter screw (x2)
- j. Plastic Connector (x2)

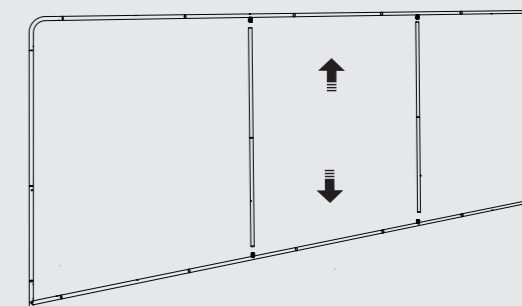
1 Straighten and assemble all the bungeed poles.



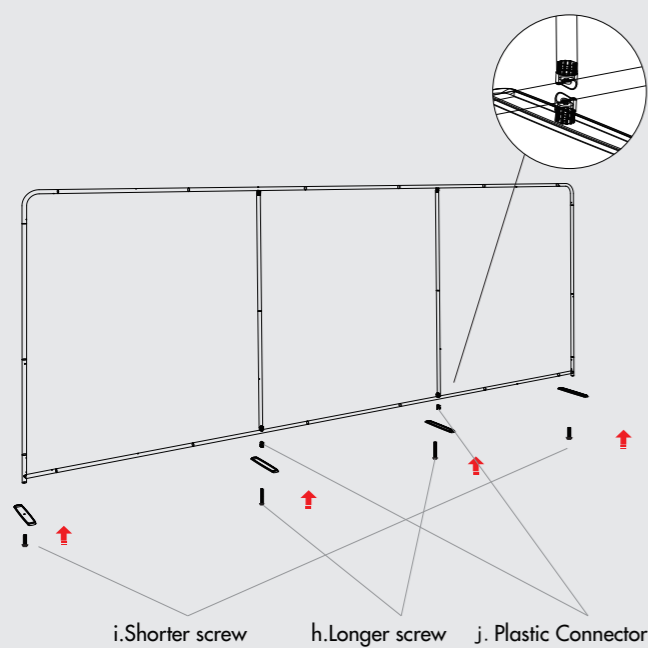
2 Match the numbers together to correctly connect the pieces, lock them in place with a push button snap.



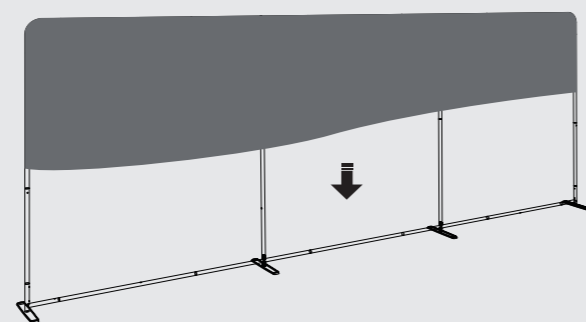
3 Once you have your frame set, connect "c" to the frame.



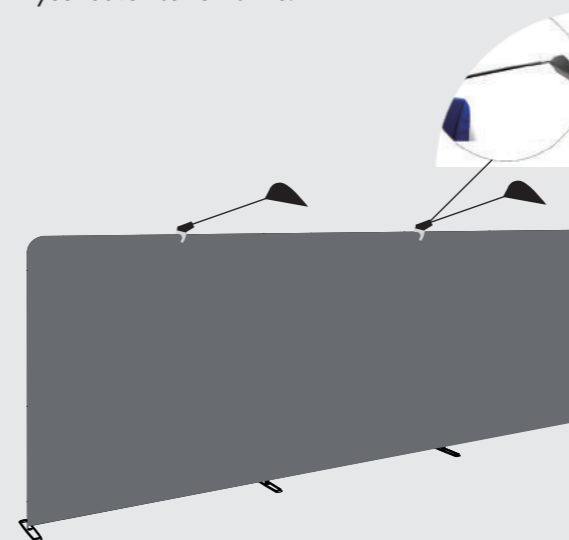
4 Install "f" to the frame



5 Simply pull the pillowcase-like graphic over the frame.



6 Zip up the graphic. Additional LED lights are available to make your advertisement shine.



7 There you have it.



Disassemble in the reverse order.
Caution: Make sure the graphic is folded neatly and save it in bag after using, to avoid wrinkle.

PLEASE CONTACT US IF THERE IS ANY PROBLEM.