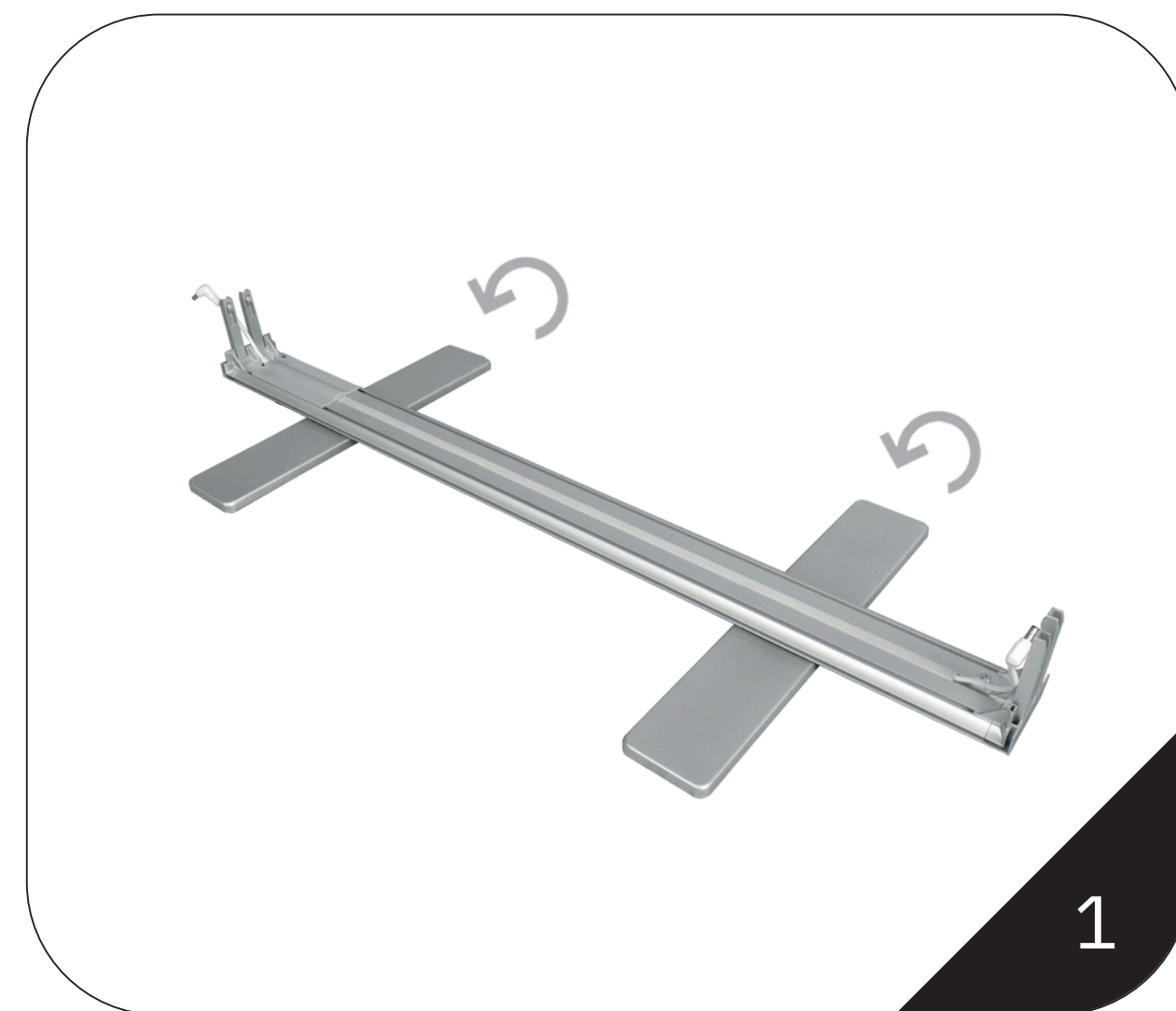
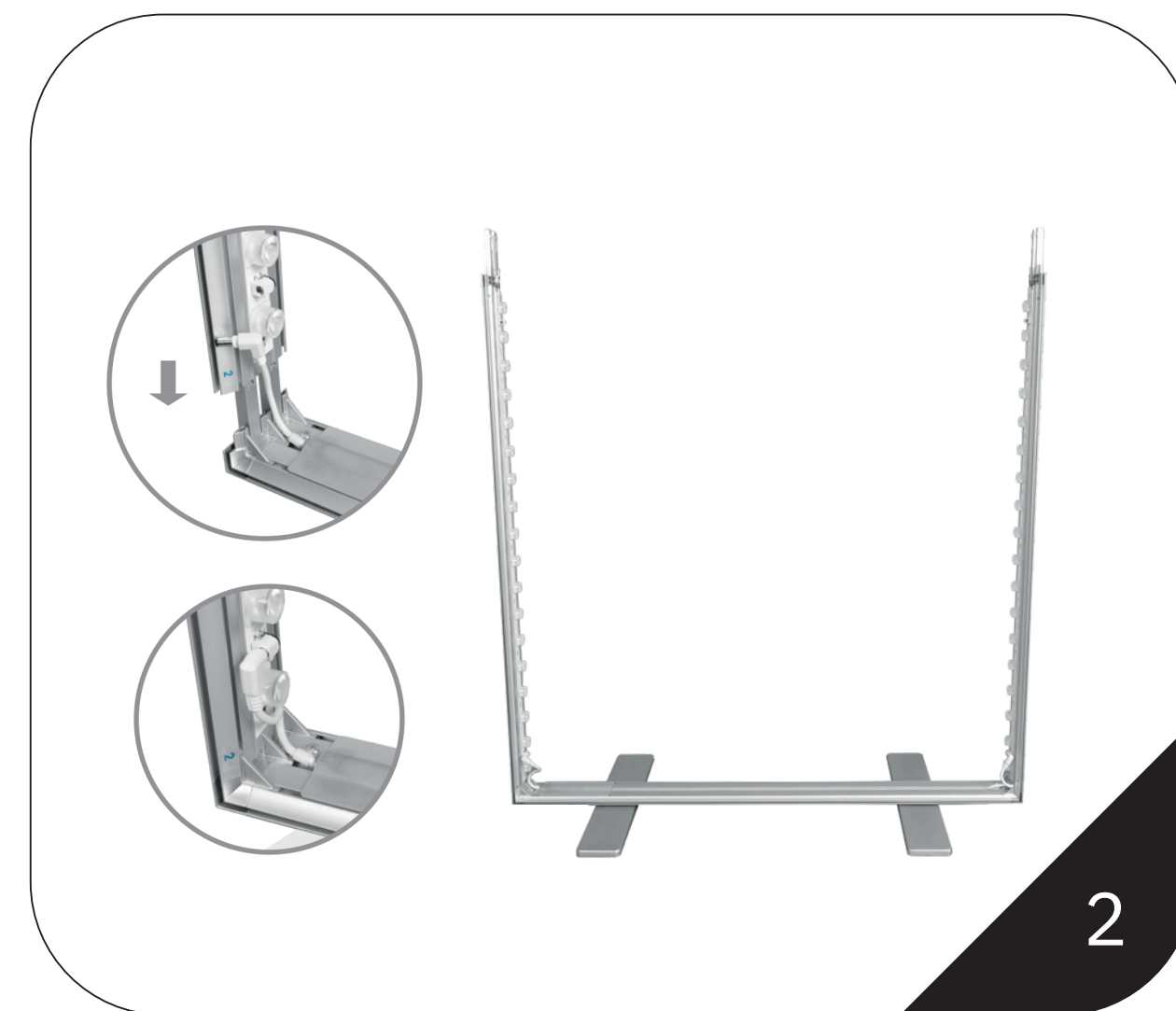


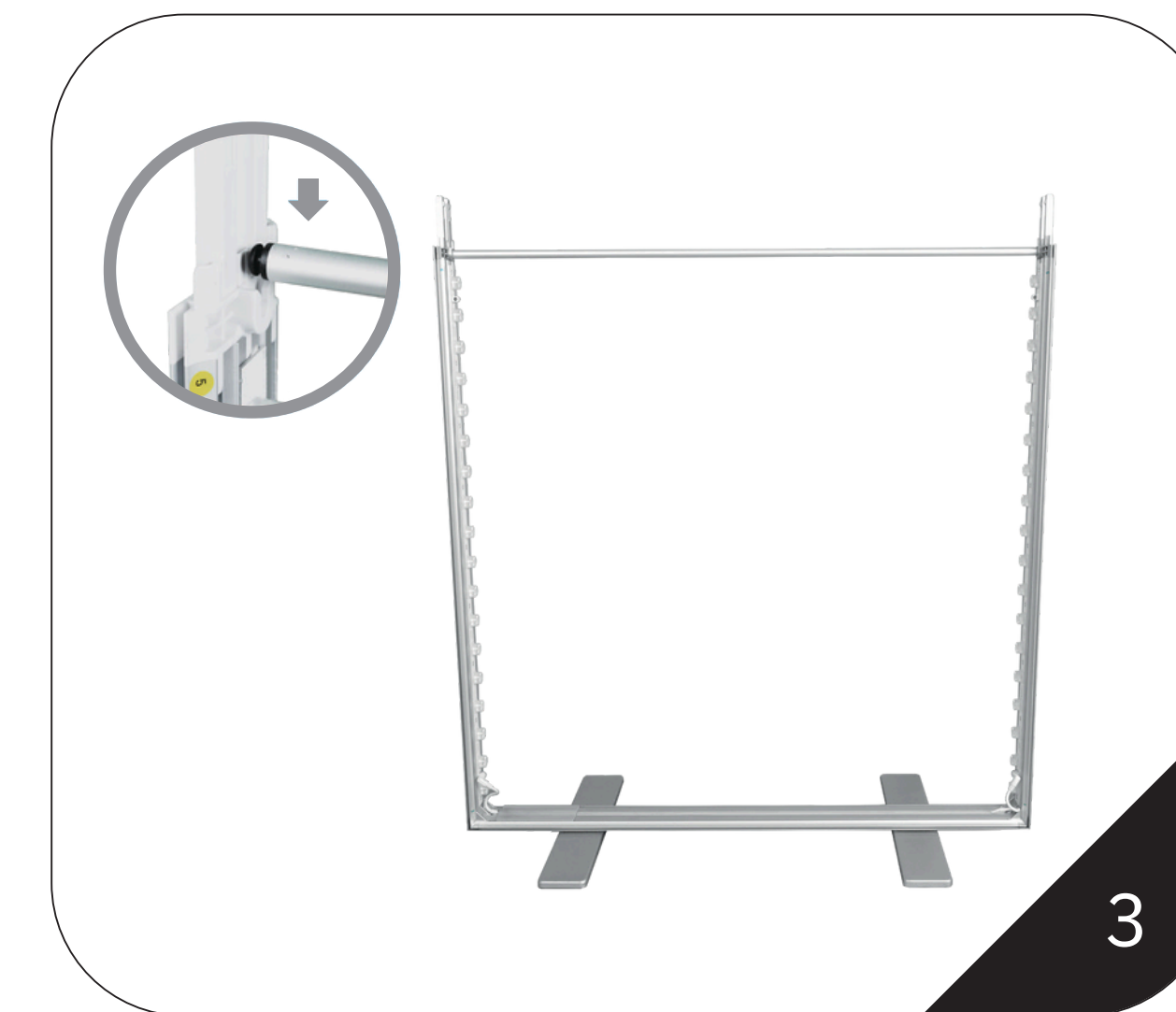
INSTALLATION INSTRUCTIONS



1 Rotate the feet 90°



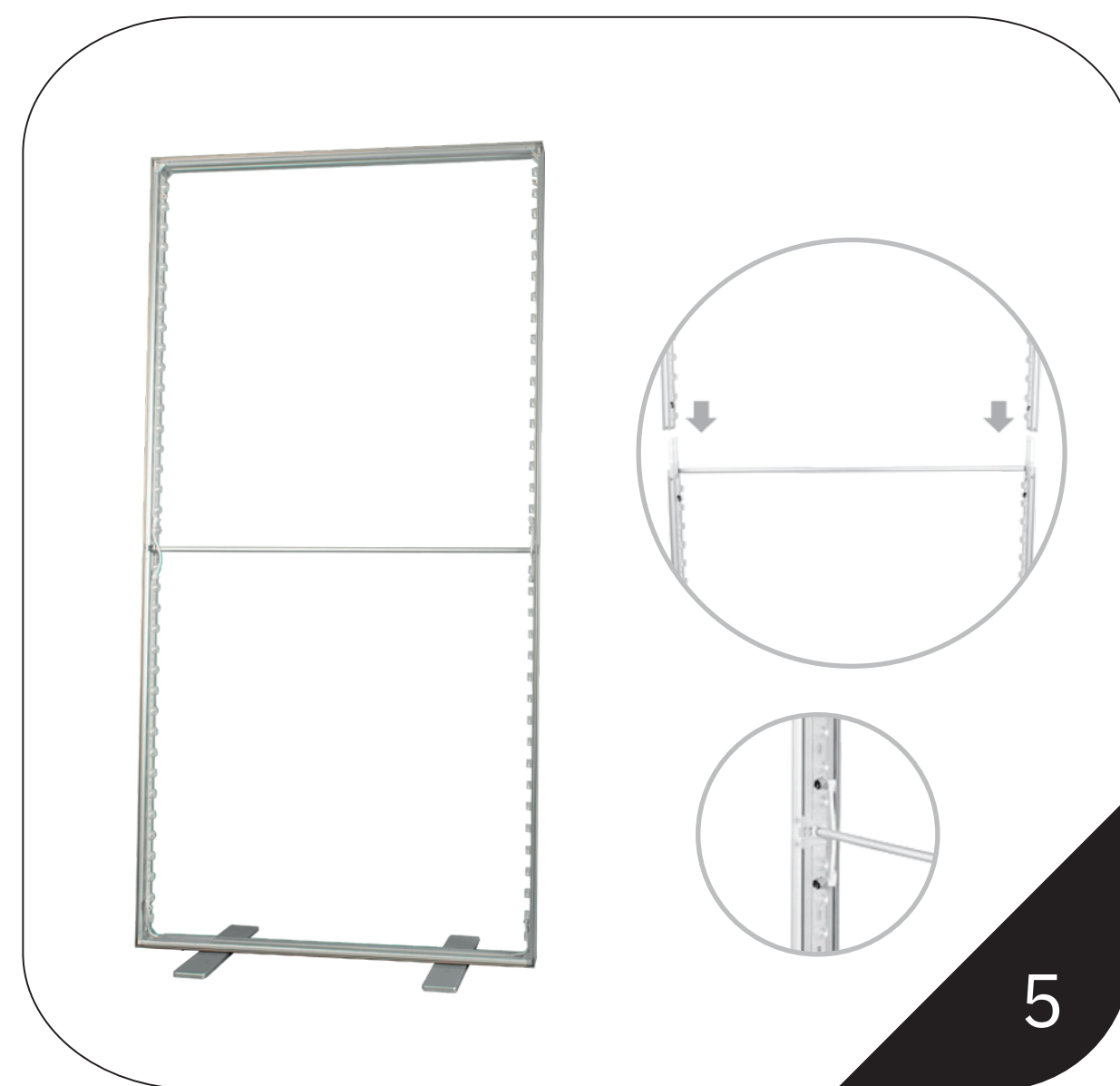
Assemble the frame by connecting the parts with matching numbers & connect wires



3 Insert the centre pole



4 Assemble the top half of the frame by connect the parts with matching numbers



5 Connect the top and bottom and connect centre wires



6 Connect the cable of adapte



7 Attach graphics