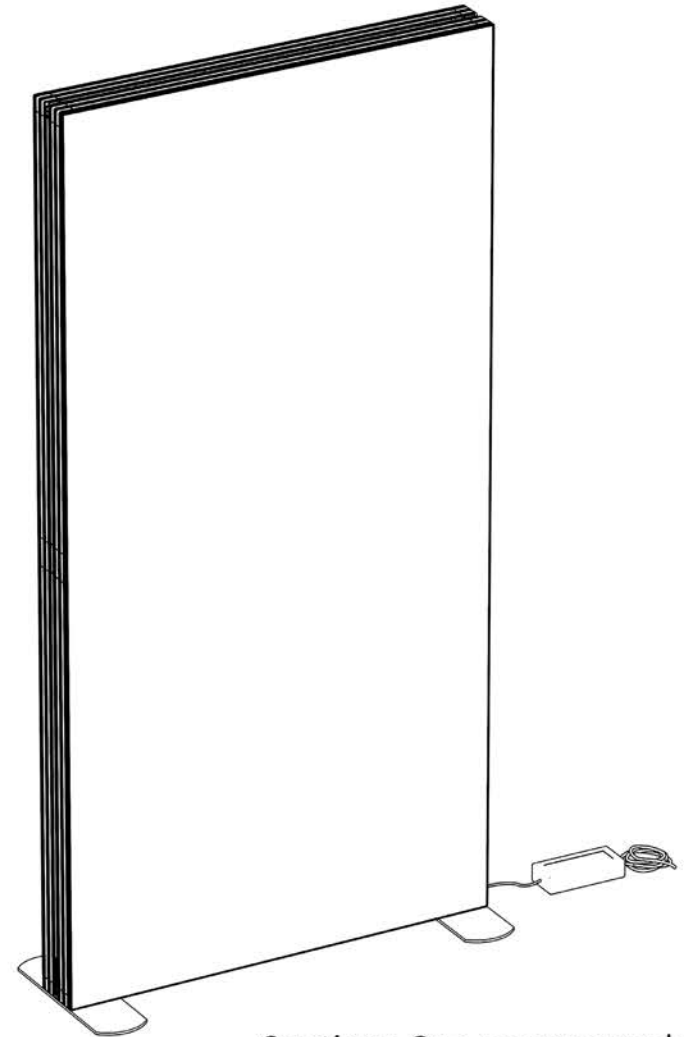
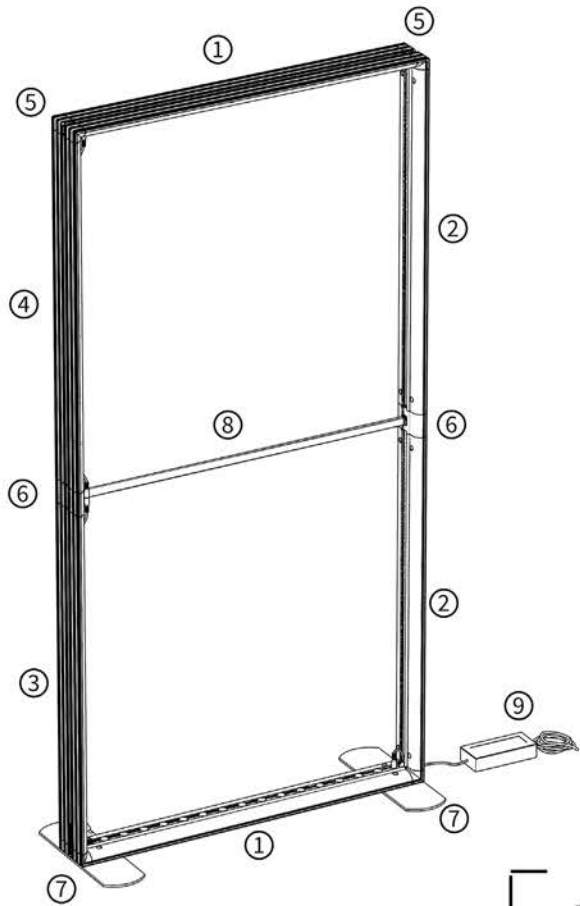


Module Light Box



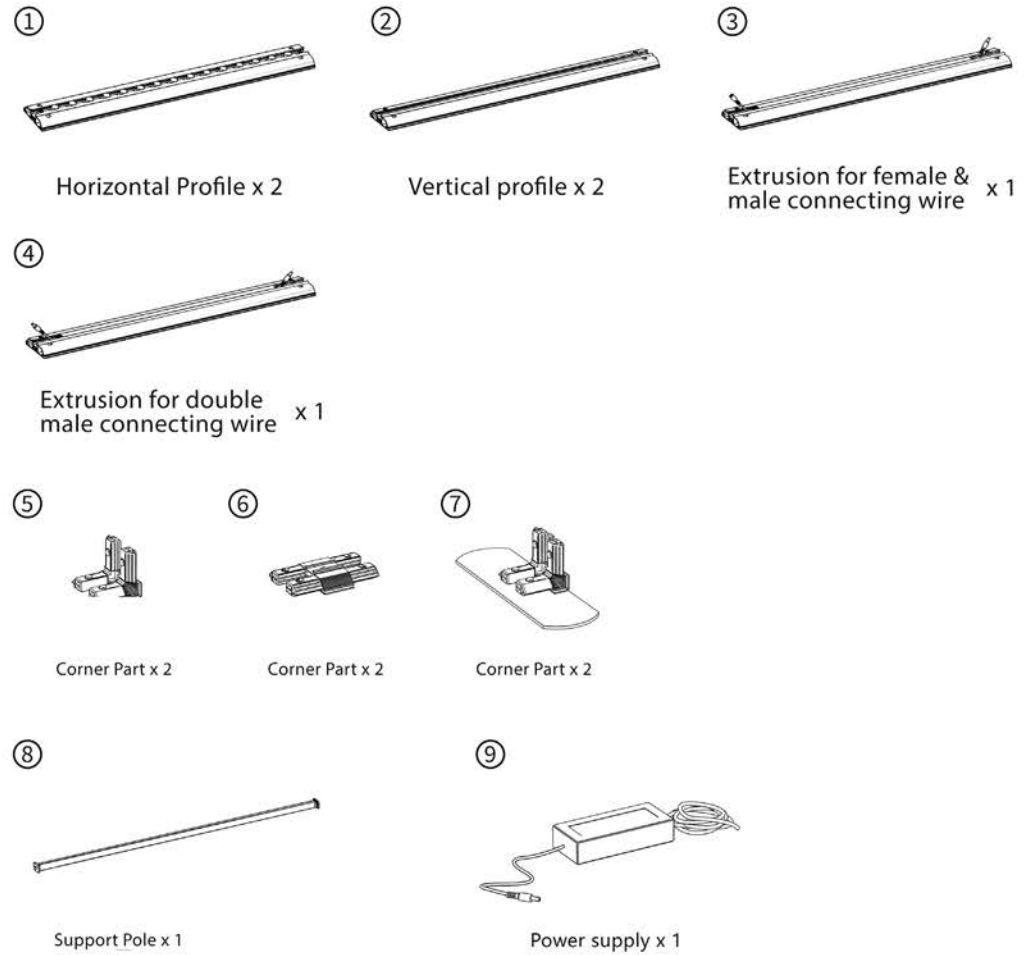
Caution : One power supply
can only drive 3pcs LED light strip most

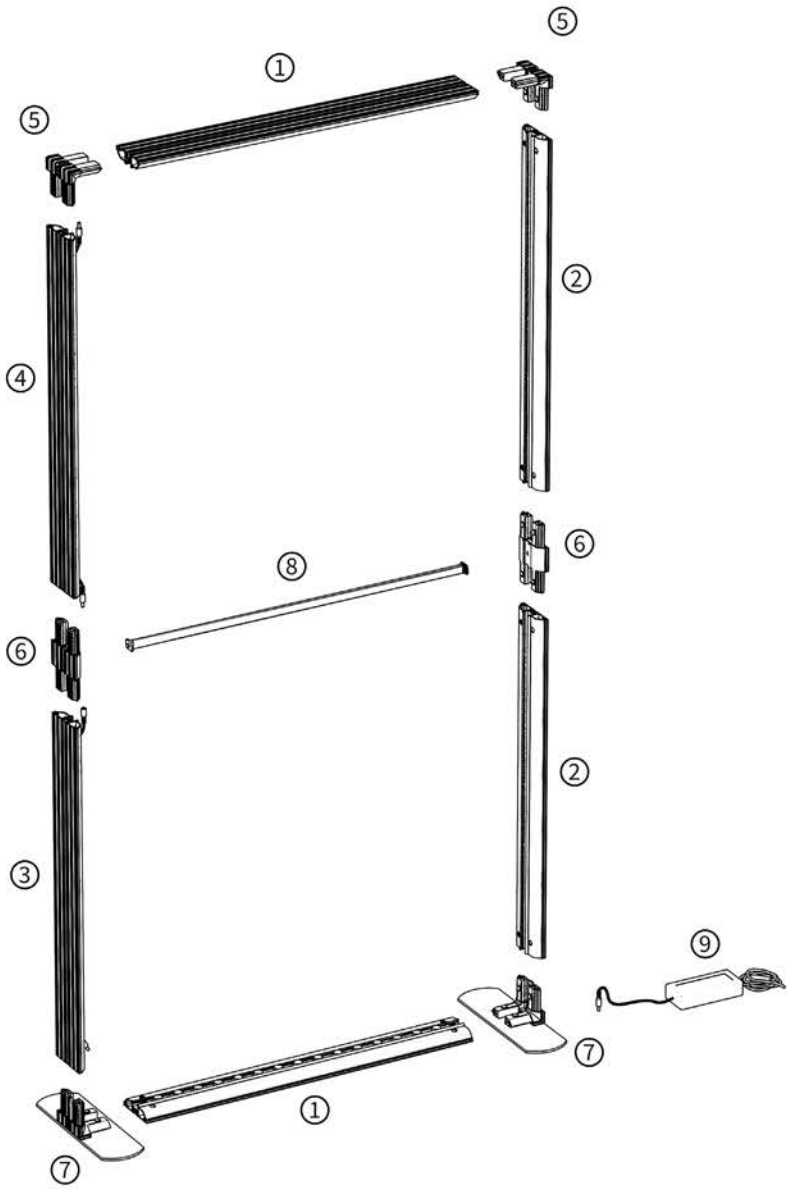
500/850/1000X1500(1000+500)
 500/850/1000X2000(1000+1000)
 500/850/1000X2250(1250+1000)
 500/850/1000X2500(1250+1250)



ELECTRIC
CIRCUIT LAYOUT

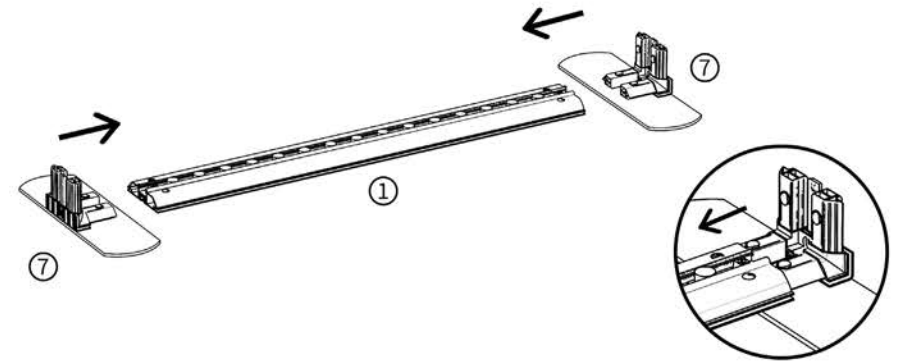
Module Light Box



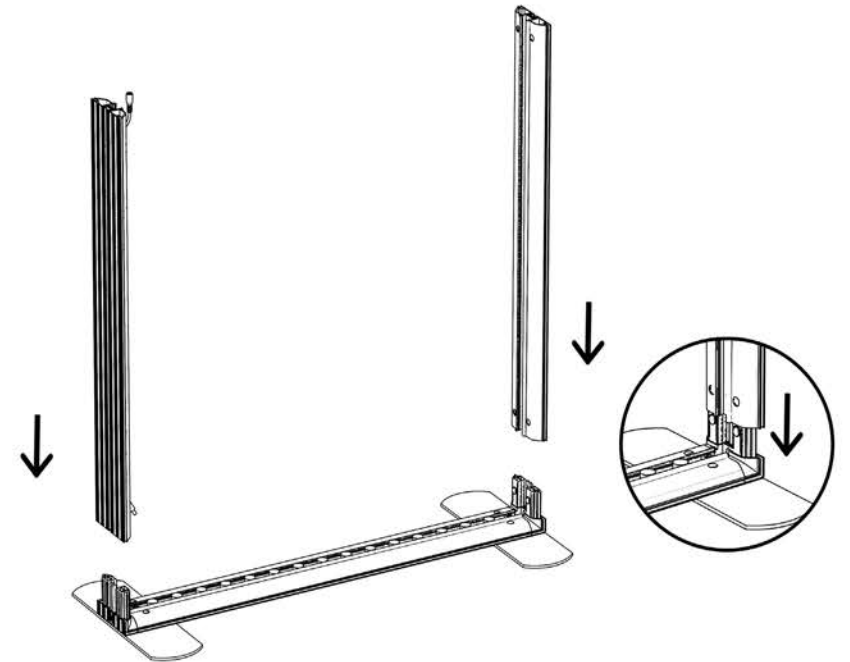


3

1

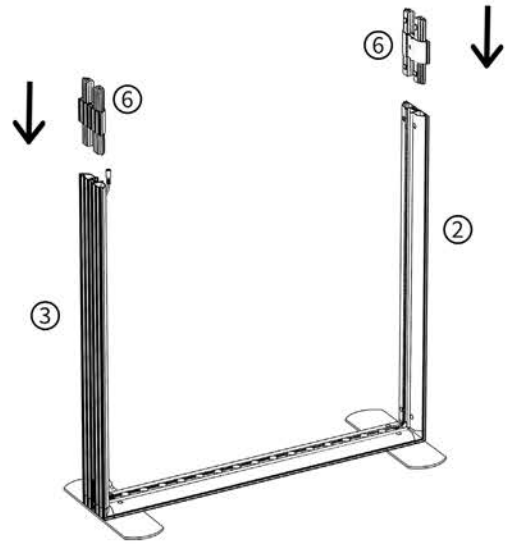


2

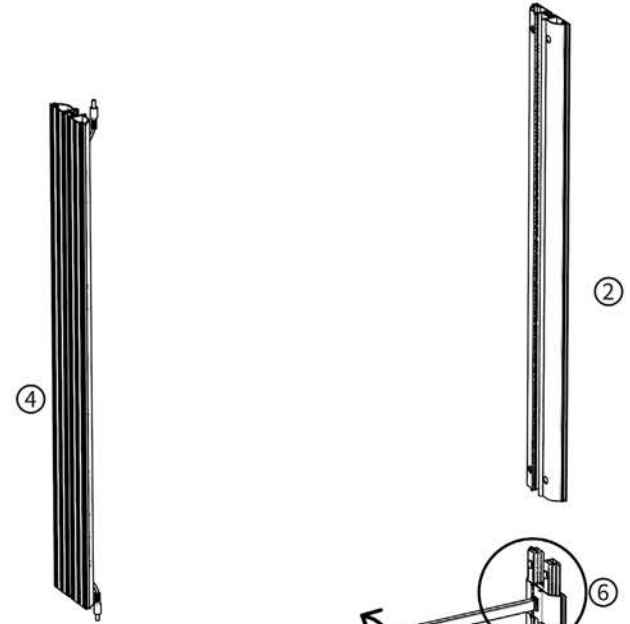


4

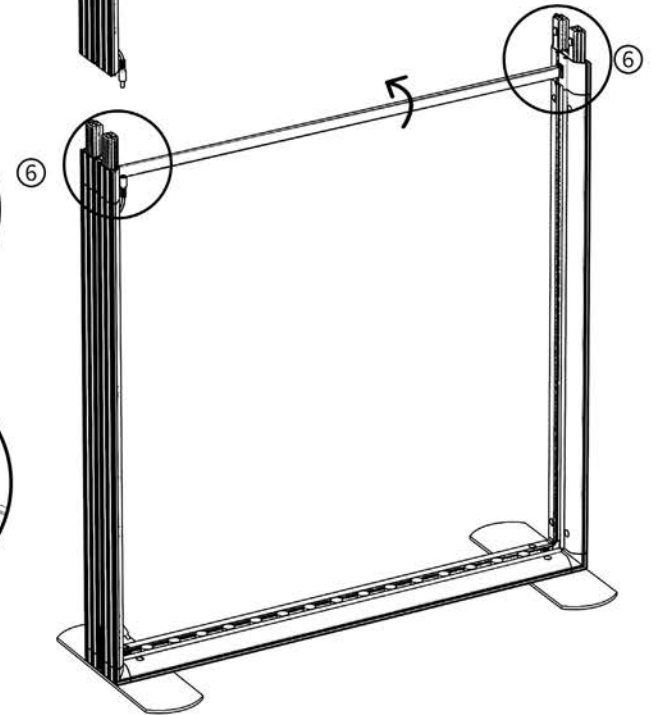
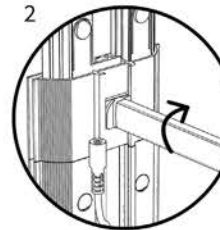
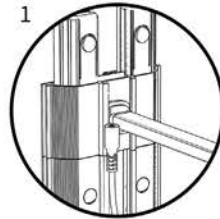
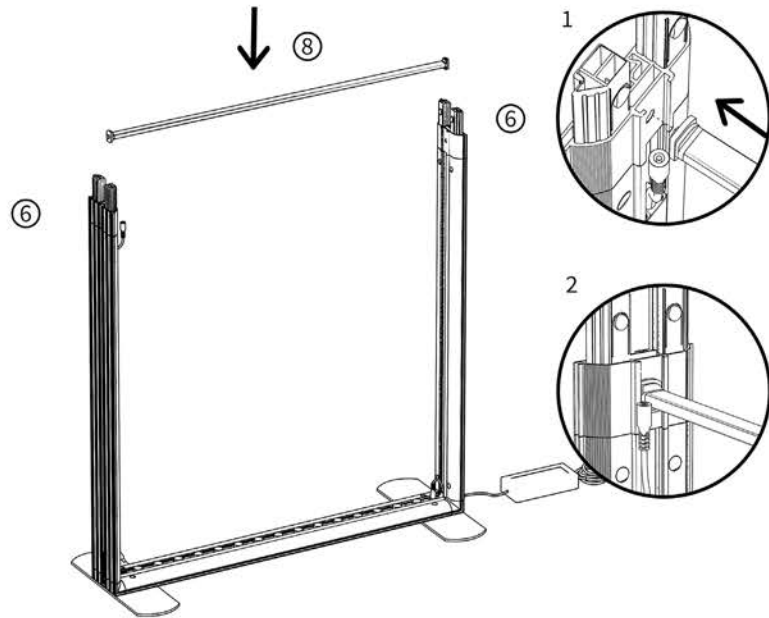
3



5



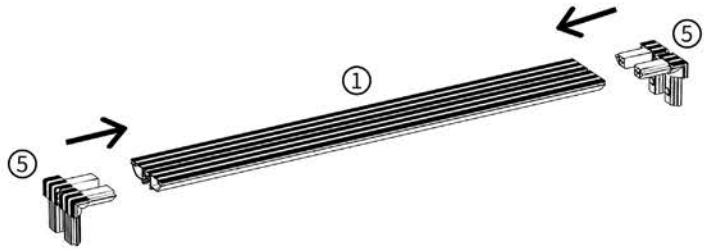
4



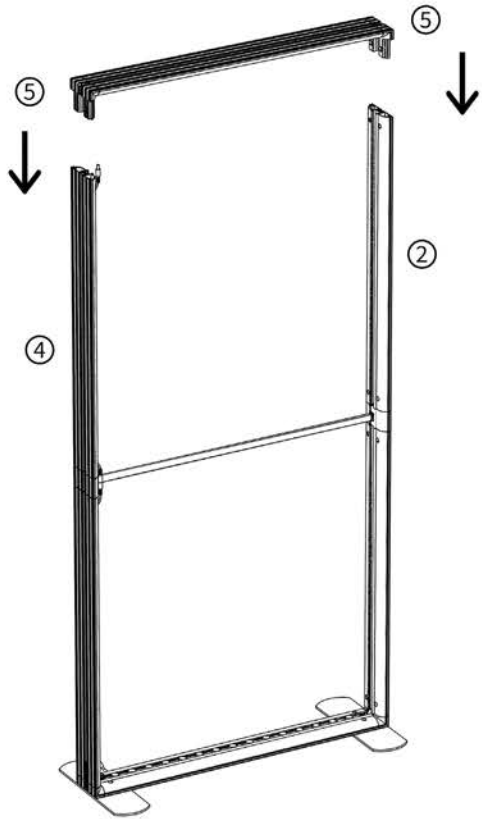
5

6

6

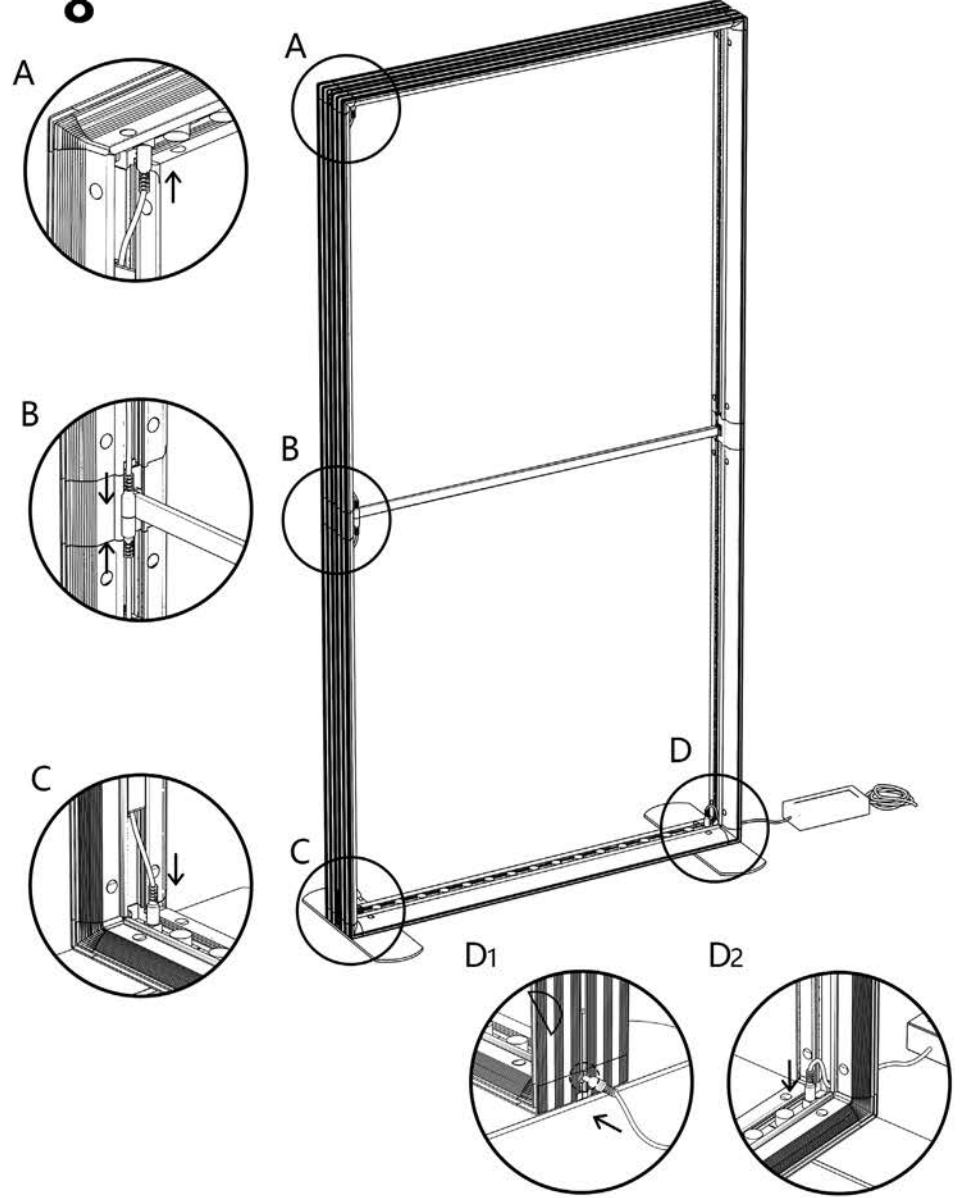


7



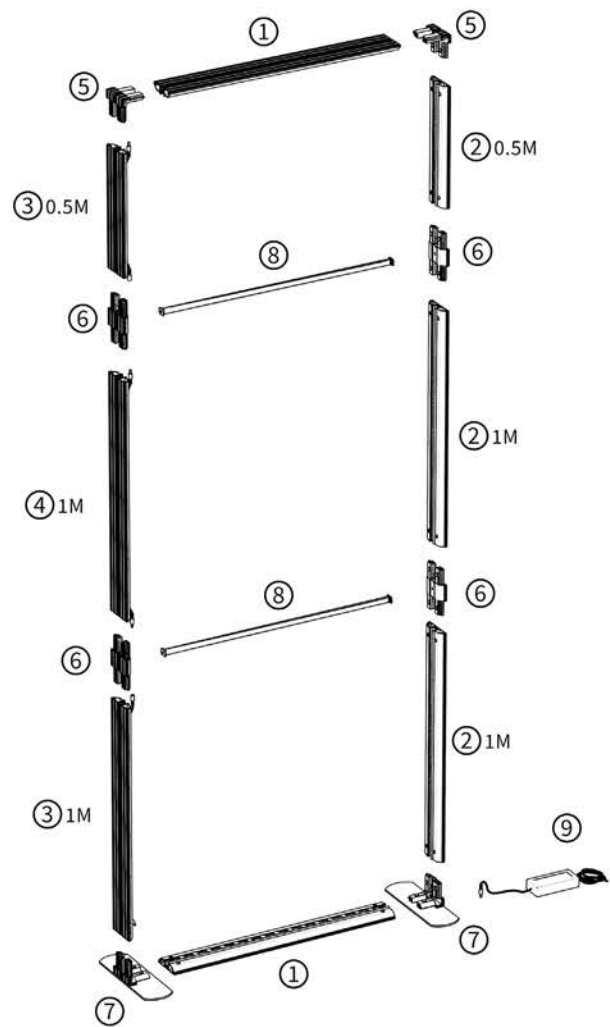
7

8

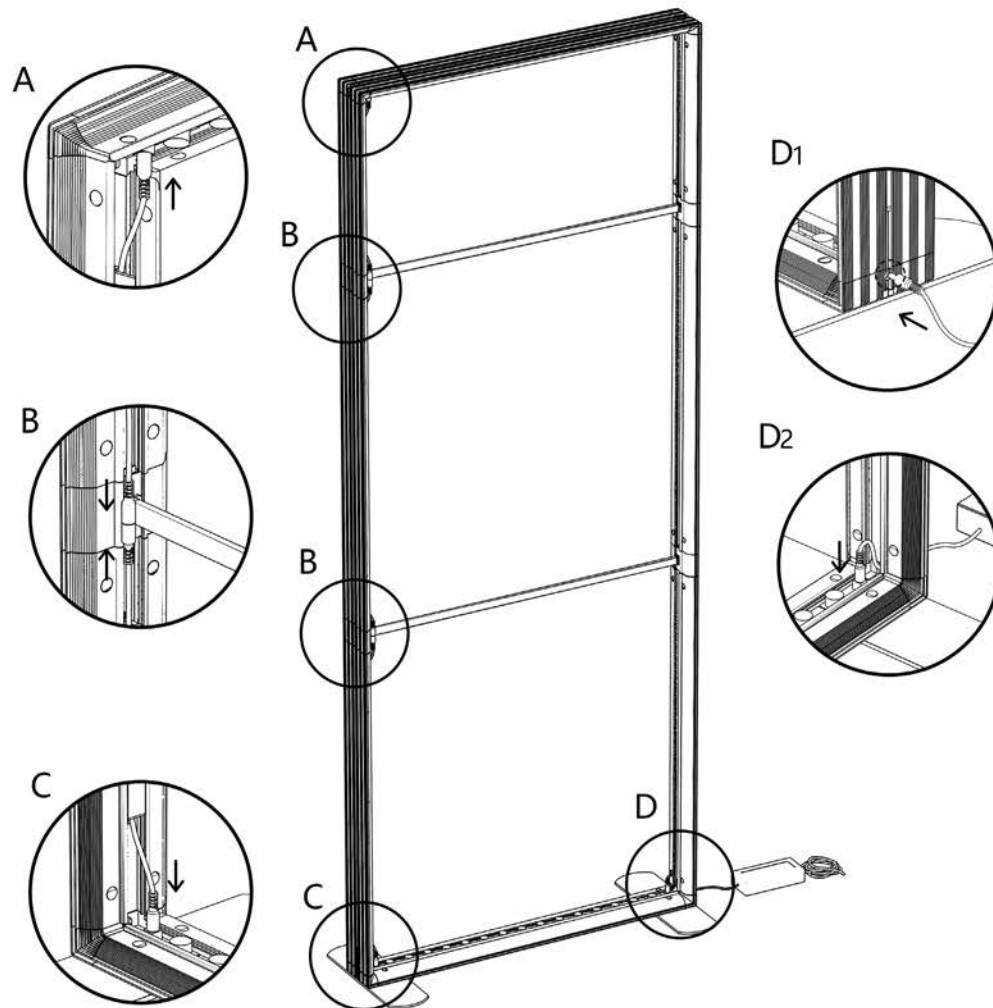


8

500/850/1000X2500(1000+1000+500)

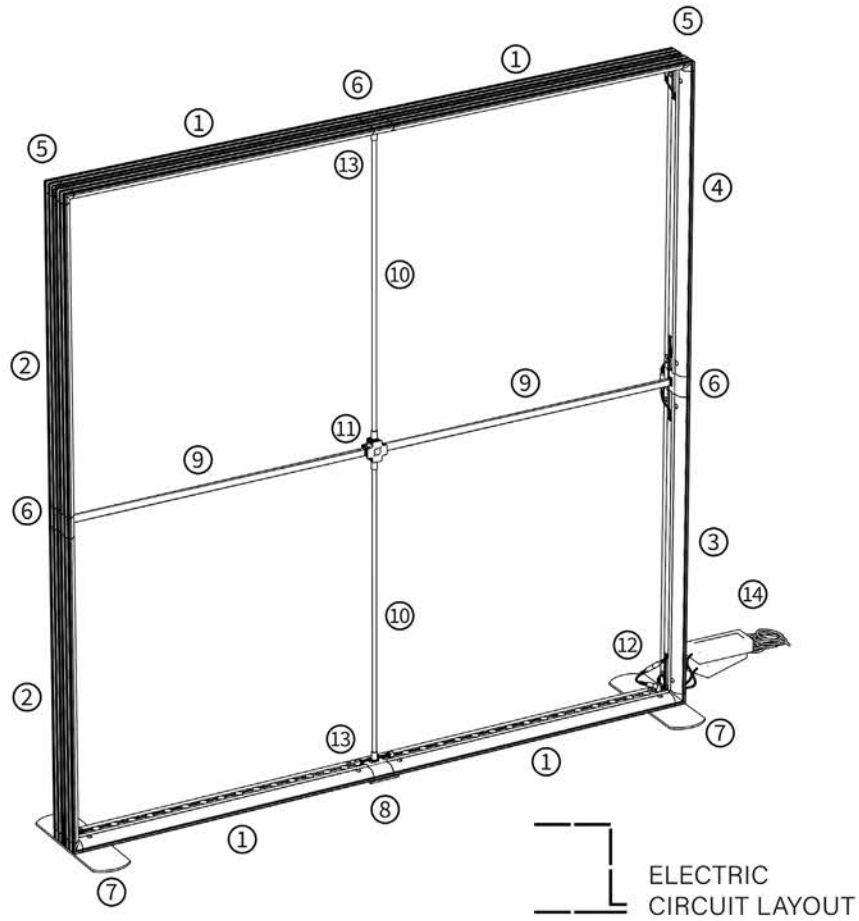


9



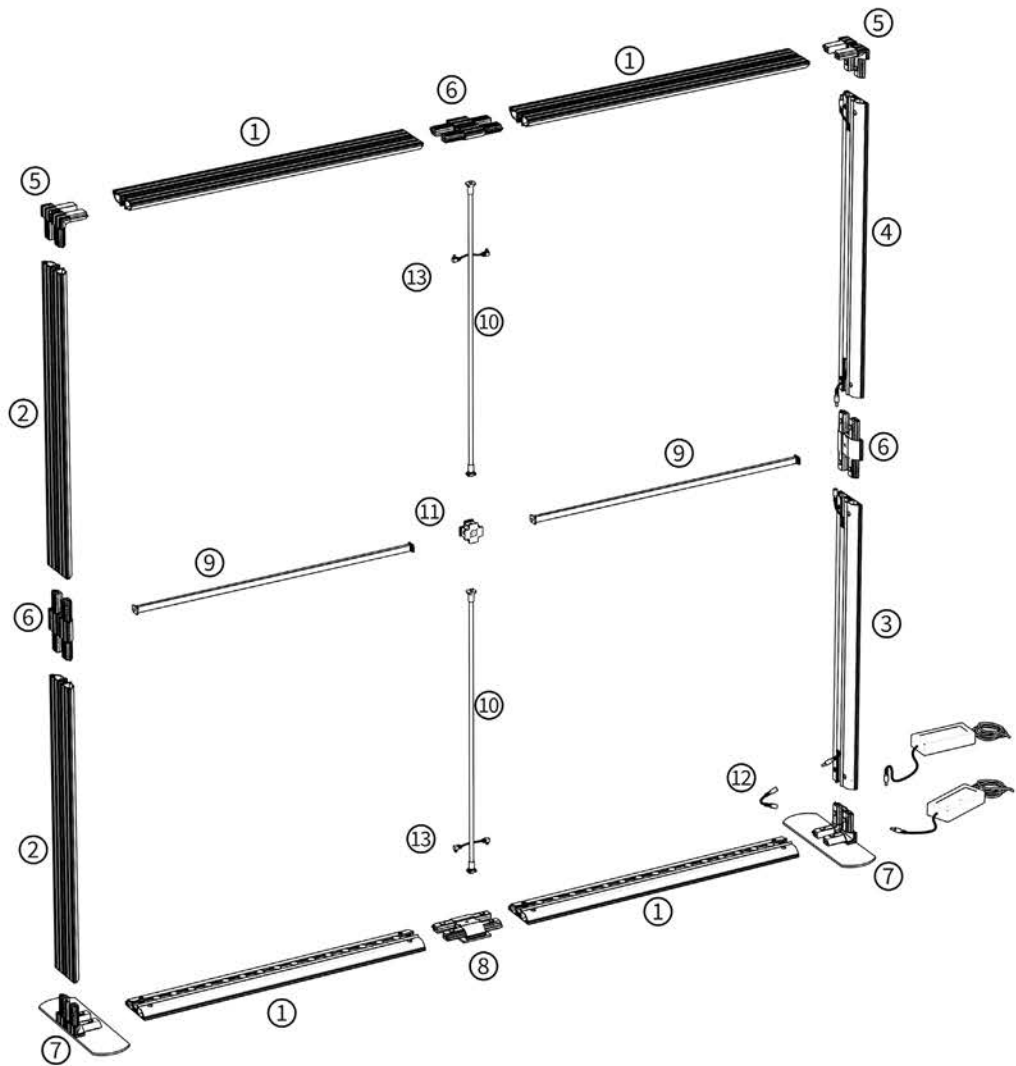
10

1500/1850/2000X1500(1000+500)
 1500/1850/2000X2000(1000+1000)
 1500/1850/2000X2250(1250+1000)
 1500/1850/2000X2500(1250+1250)



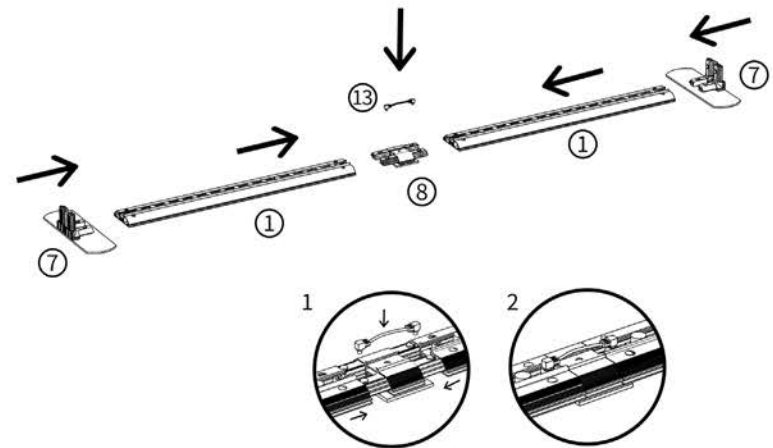
Module Light Box

- ① Horizontal Profile x 4
- ② Vertical profile x 2
- ③ Extrusion for female & male connecting wire x 1
- ④ Extrusion for double male connecting wire x 1
- ⑤ Corner Part x 2
- ⑥ Connector Part x 3
- ⑦ Base Foot x 2
- ⑧ Base Foot x 1
Using For Big Size
- ⑨ Support Pole x 2
- ⑩ Round Shape Support Pole x 2
- ⑪ Cross Part x 1
- ⑫ Double Female Connecting Wire x 1
- ⑬ Double Male Connecting Wire x 2
- ⑭ Power Supply x 2

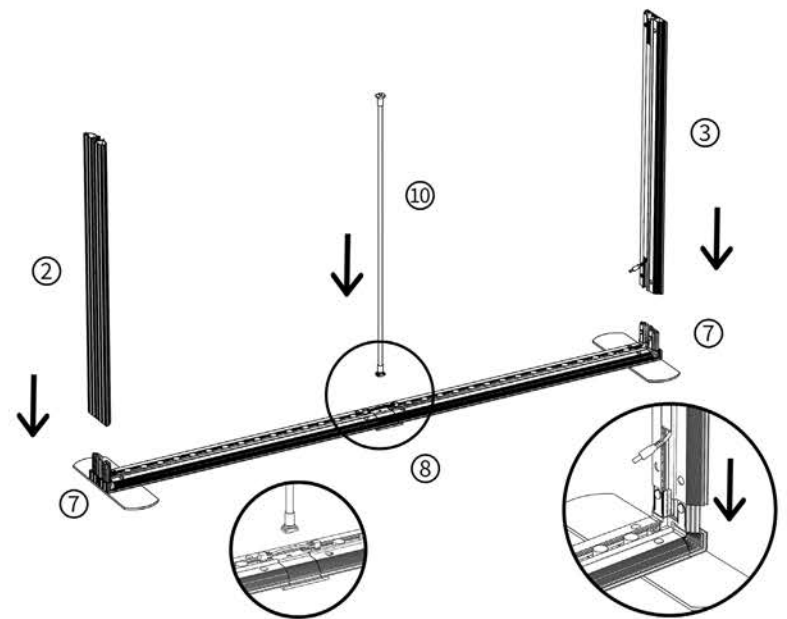


13

1

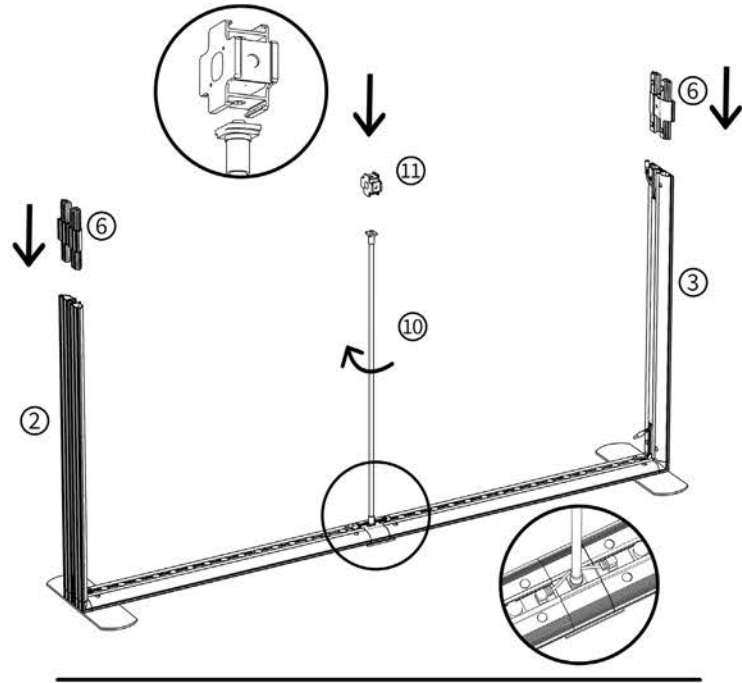


2

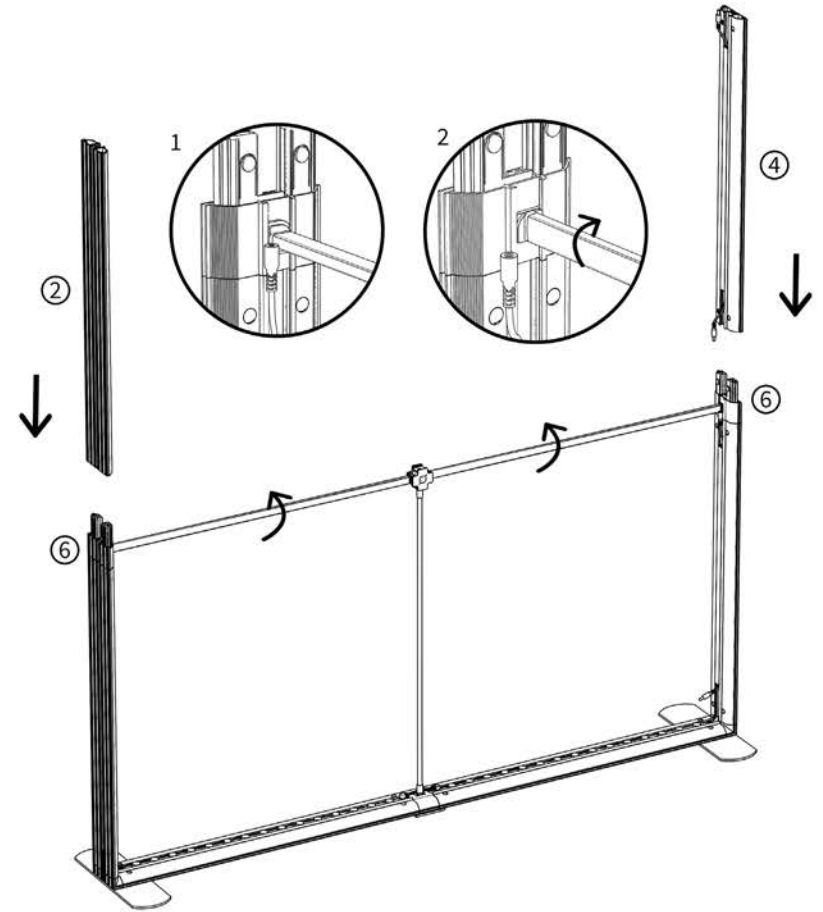


14

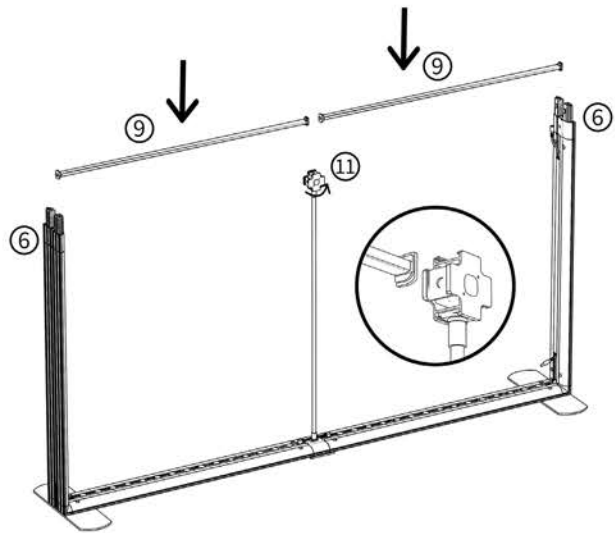
3



5



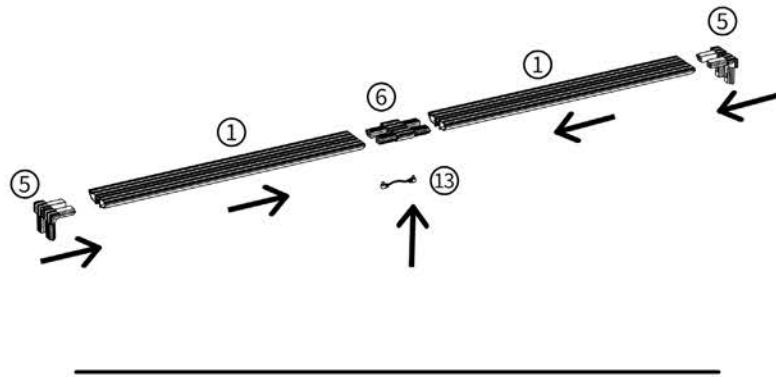
4



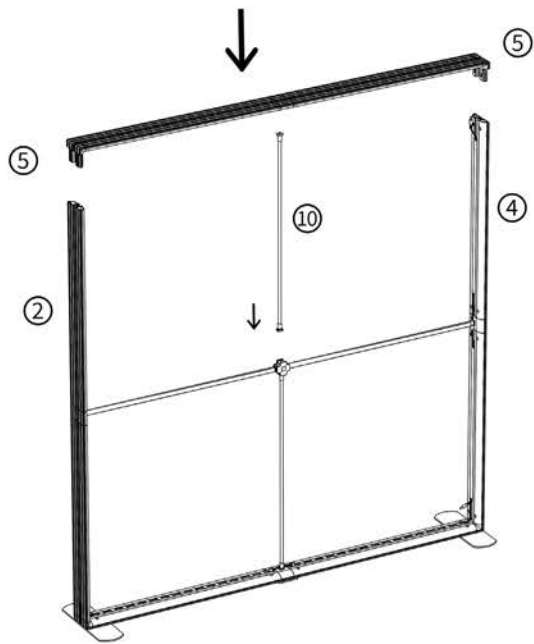
15

16

6

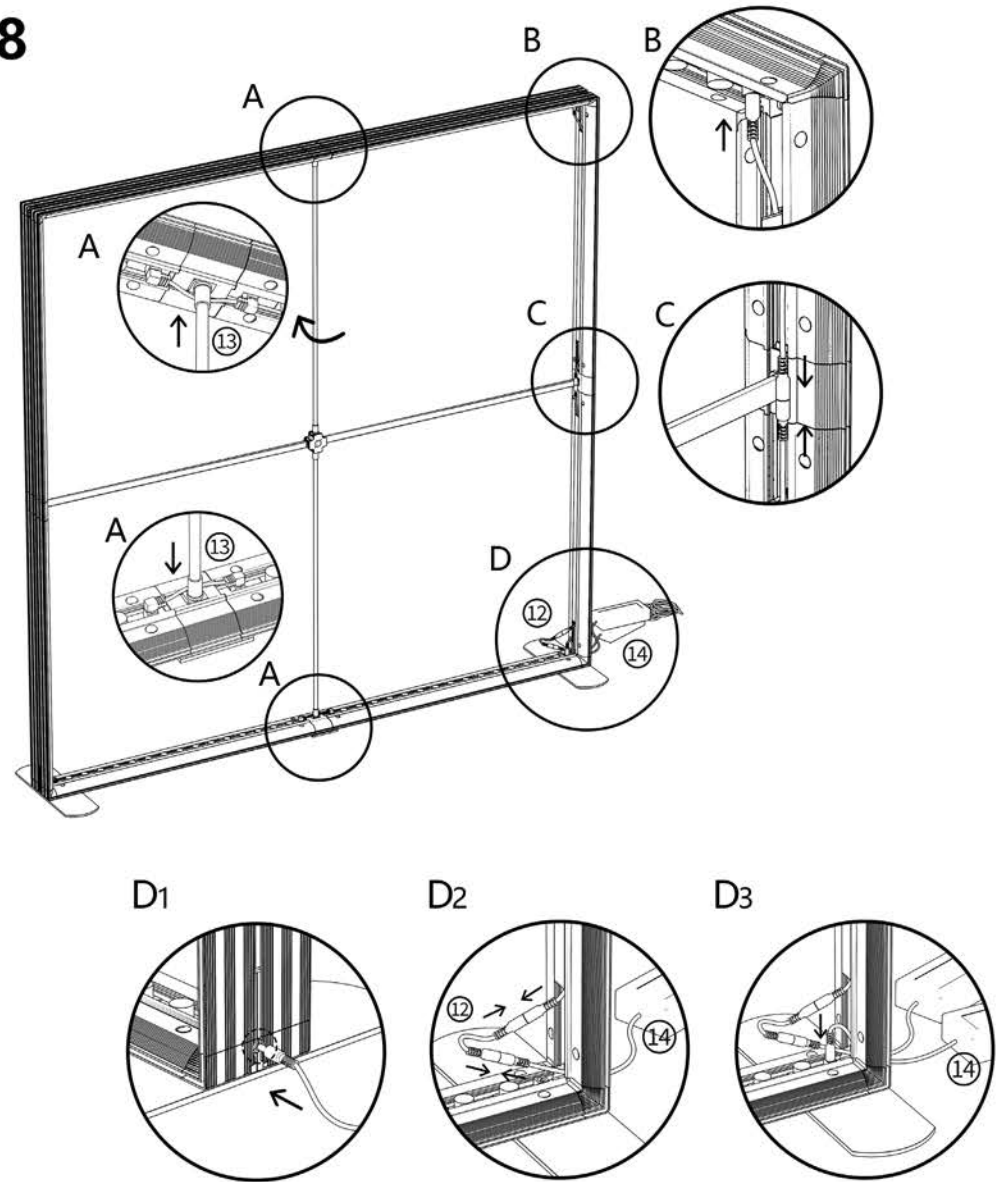


7



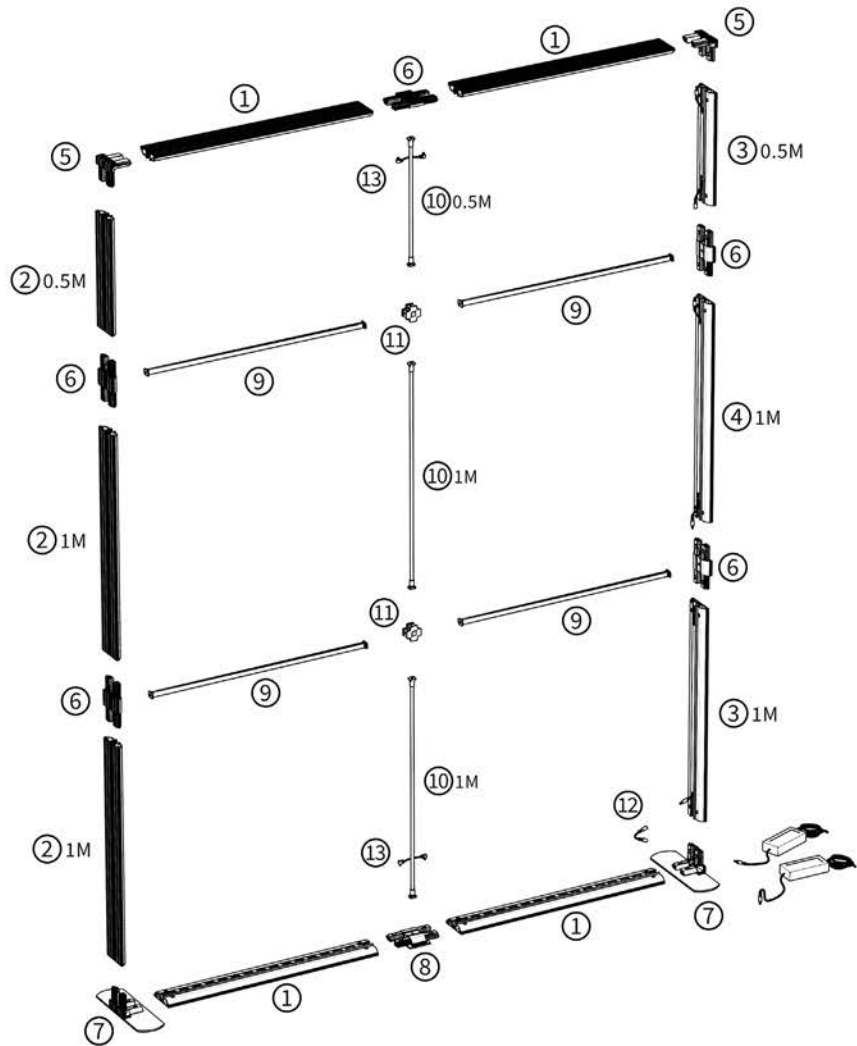
17

8

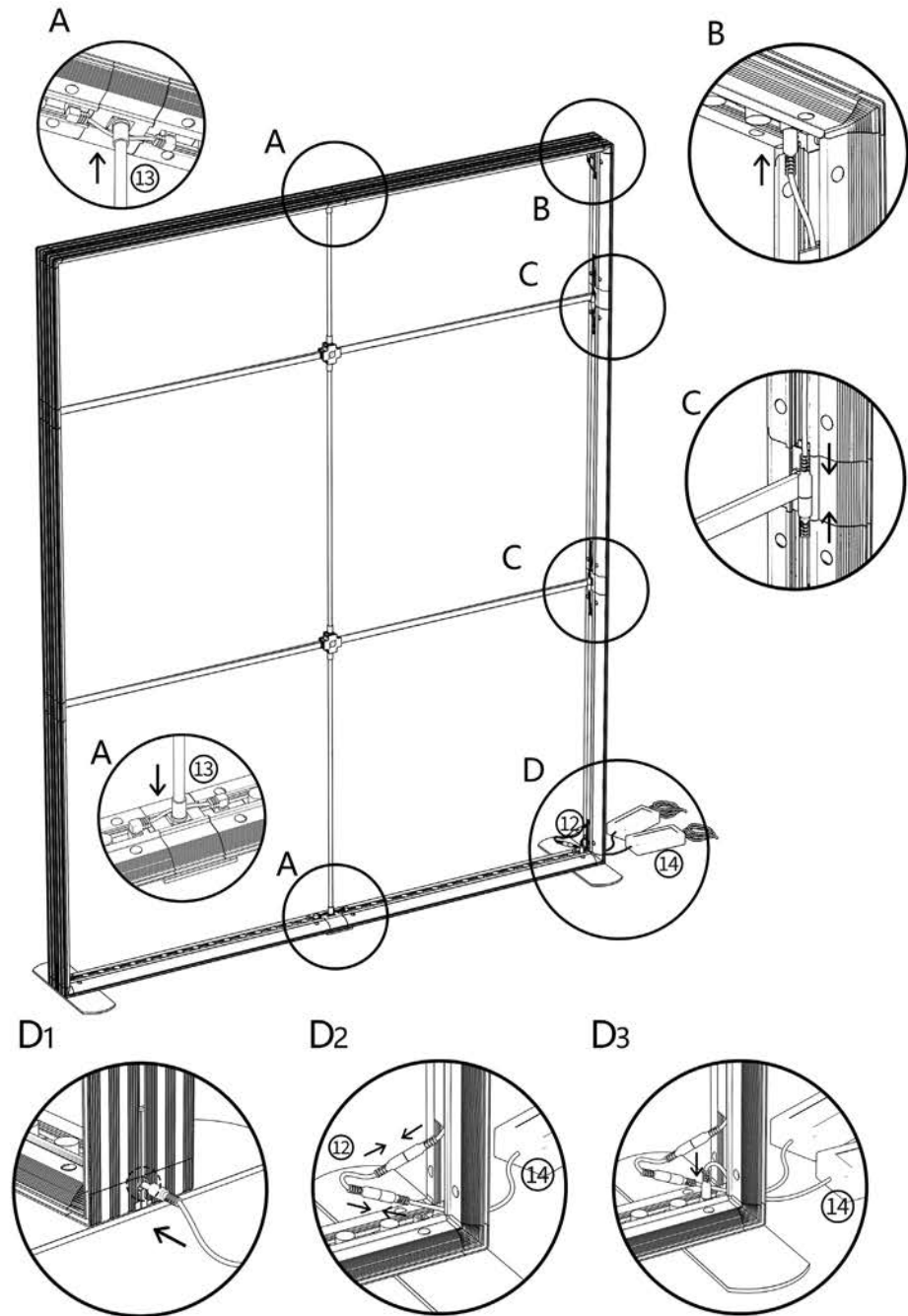


18

1500/1850/2000X2500(1000+1000+500)

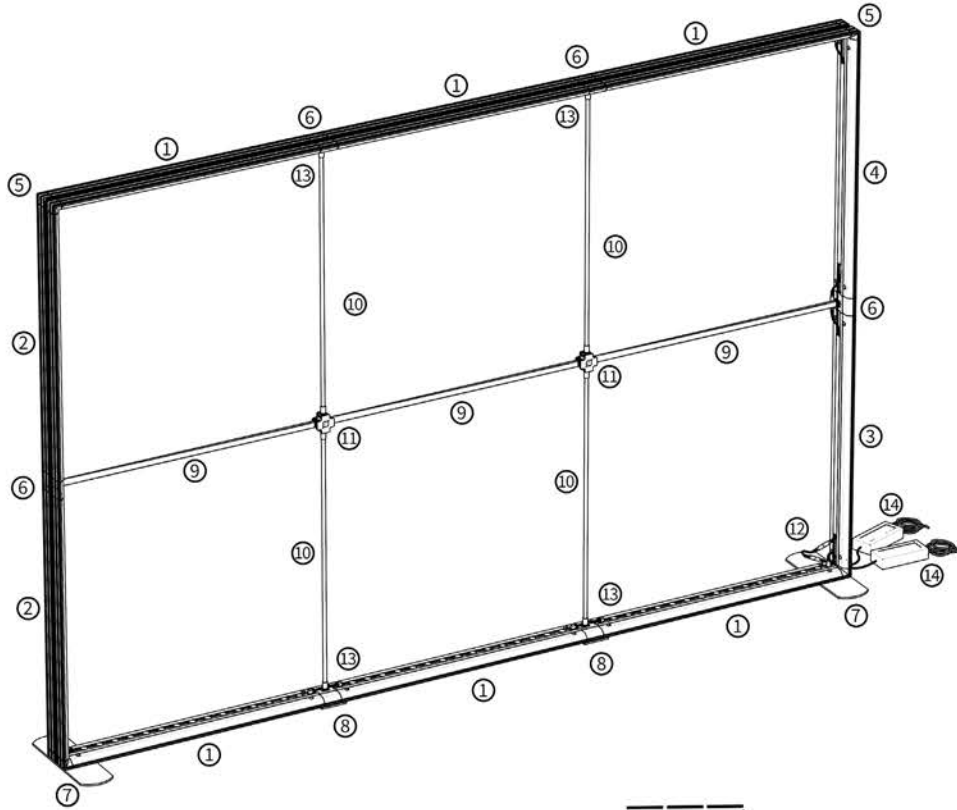


19




20

2500/2850/3000X1500(1000+500)
 2500/2850/3000X2000(1000+1000)
 2500/2850/3000X2250(1250+1000)
 2500/2850/3000X2500(1250+1250)




Module Light Box

- ①




Horizontal Profile x 6

②




Vertical profile x 2


③



Extrusion for female & male connecting wire x 1
- ④




Extrusion for double male connecting wire x 1
- ⑤



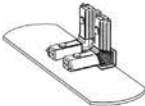
Corner Part x 2

⑥




Connector Part x 4

⑦




Base Foot x 2

⑧




Base Foot x 2
Using For Big Size
- ⑨




Support Pole x 3

⑩




Round Shape Supporting Pole x 4
- ⑪




Cross Part x 2

⑫



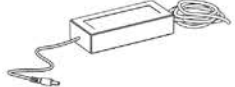
Double Female Connecting Wire x 1

⑬

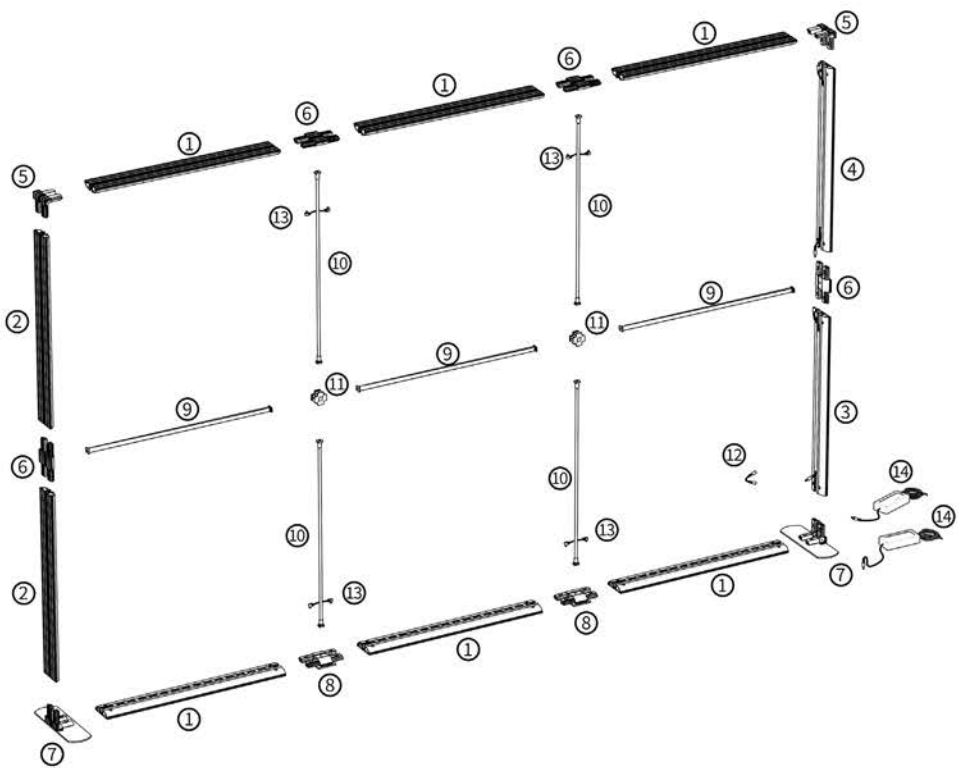


Double Male Connecting Wire x 4

⑭

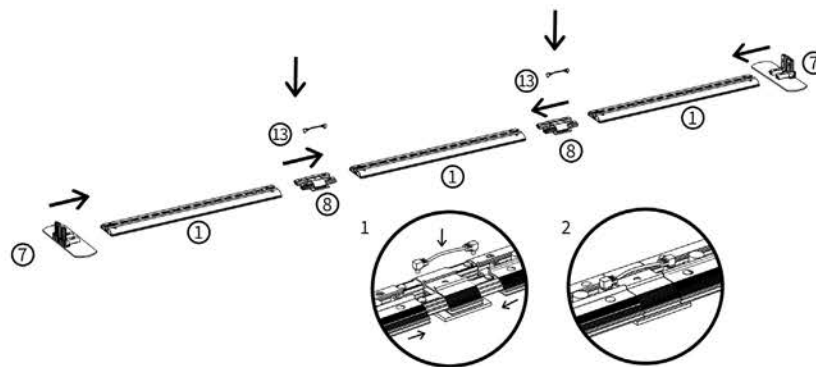


Power Supply x 2

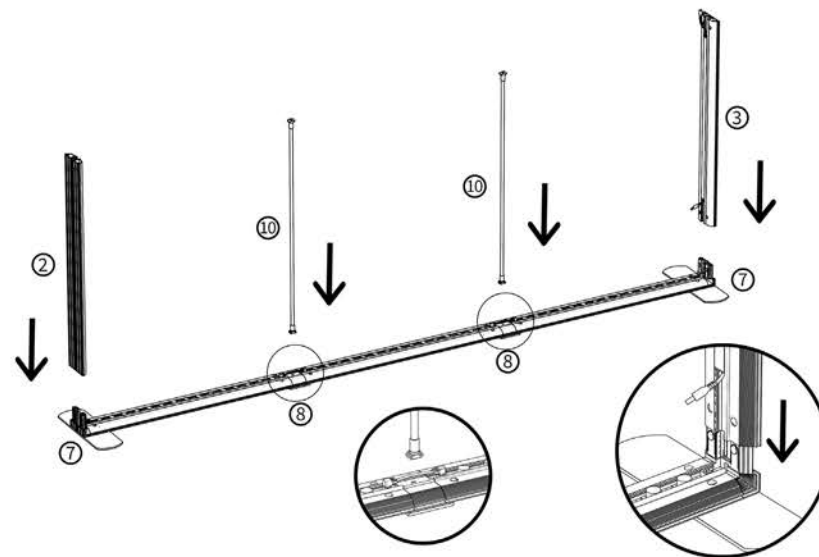


23

1

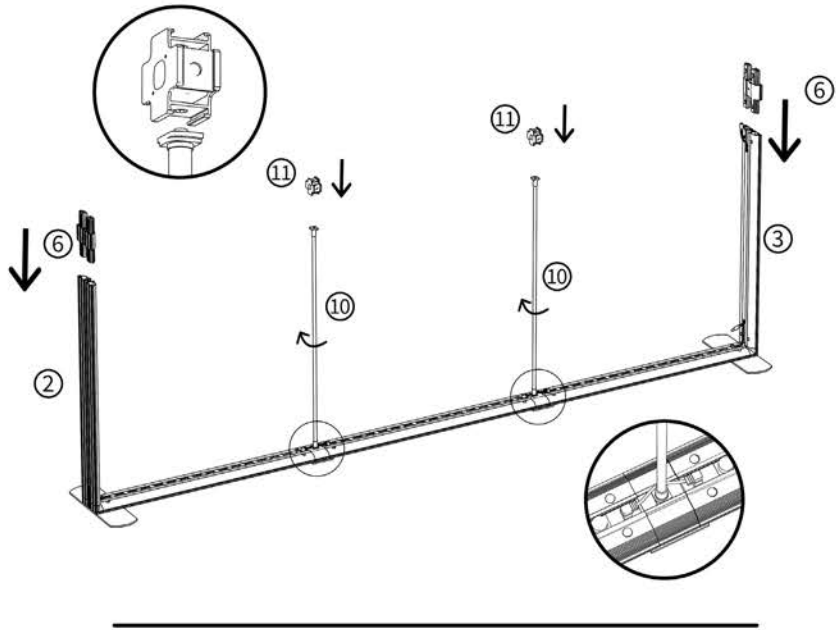


2

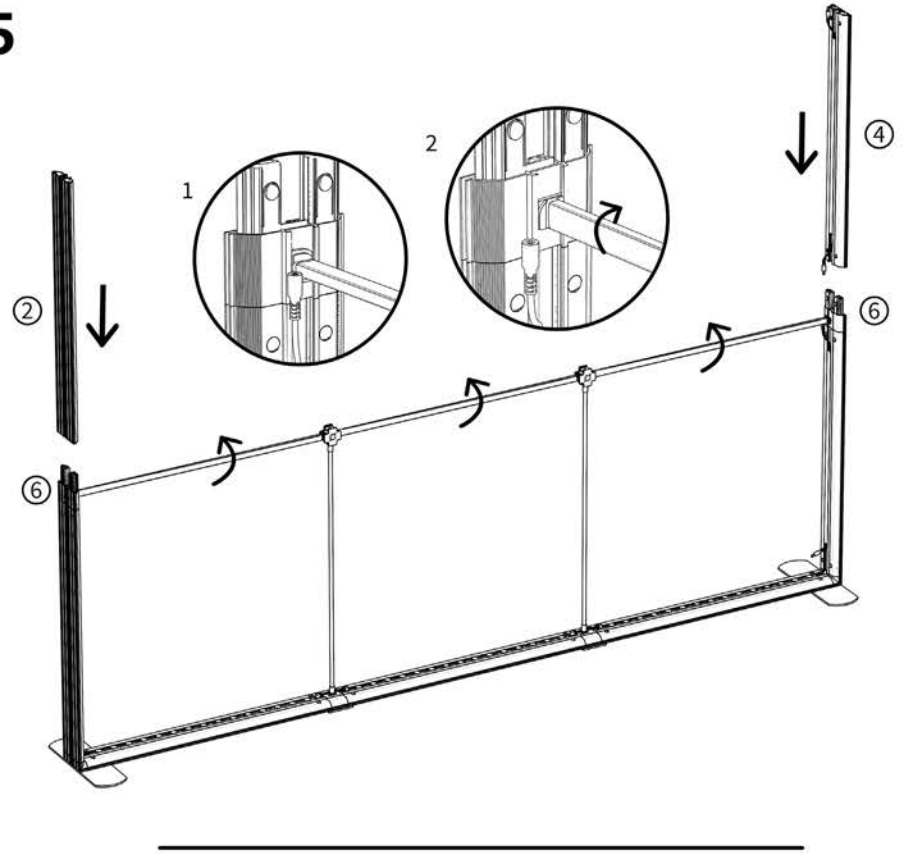


24

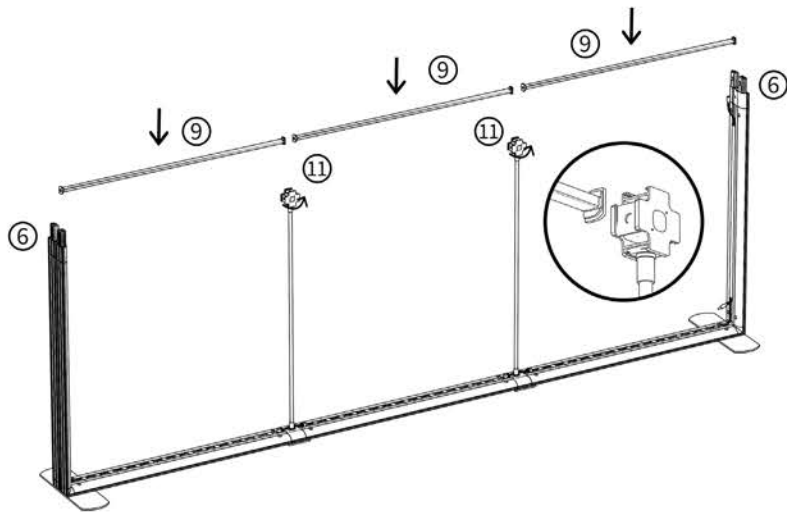
3



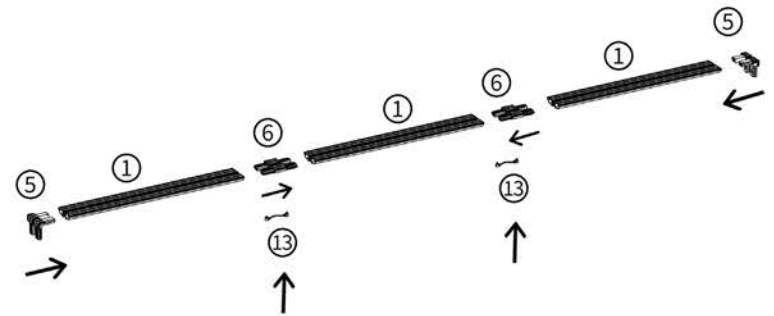
5



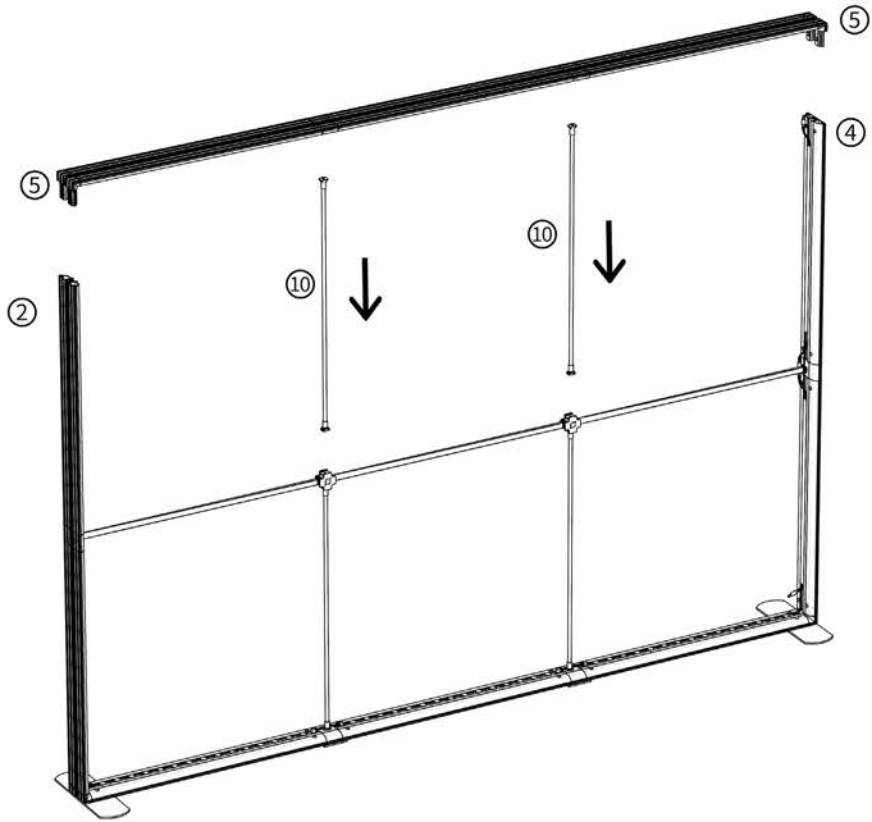
4



6

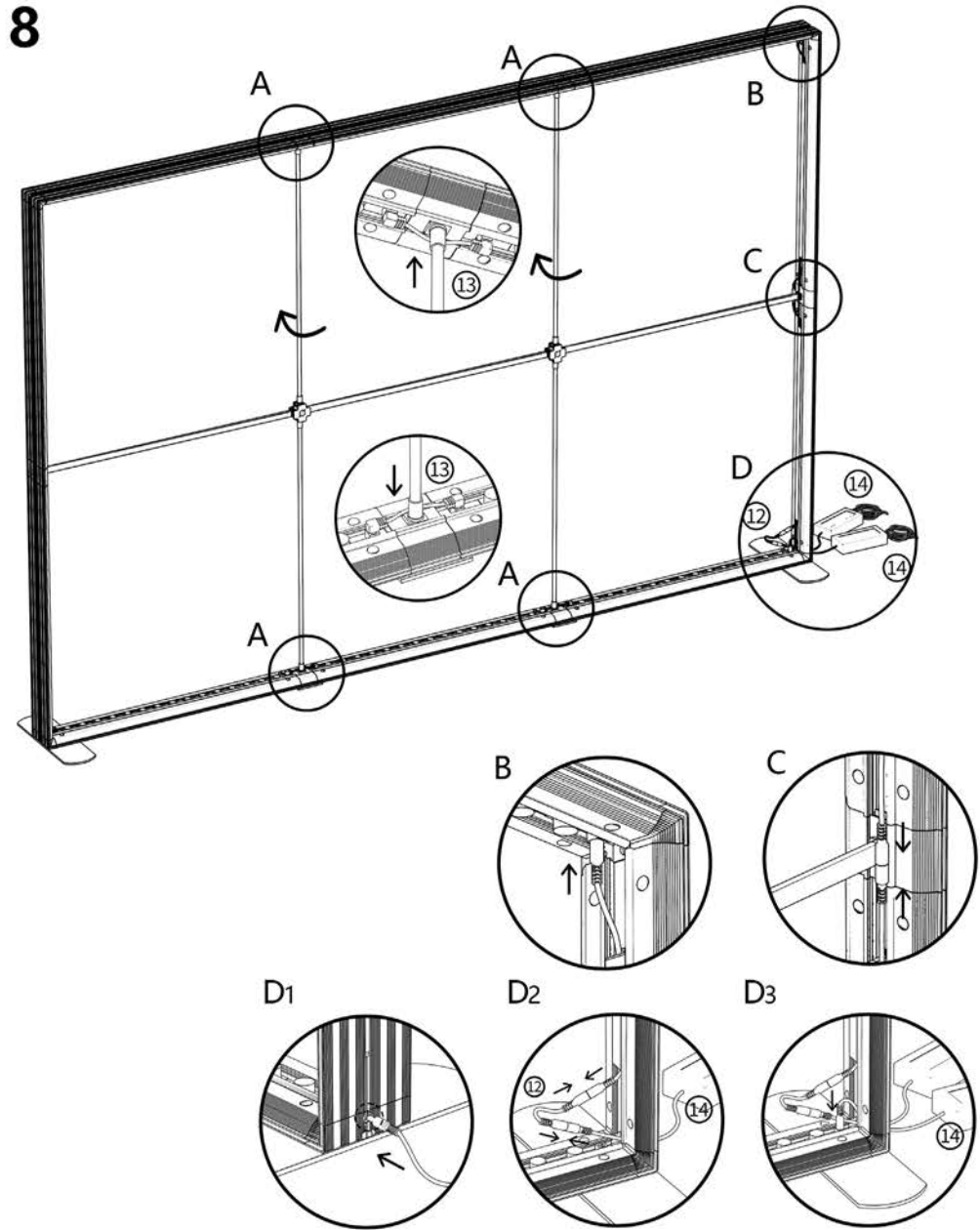


7



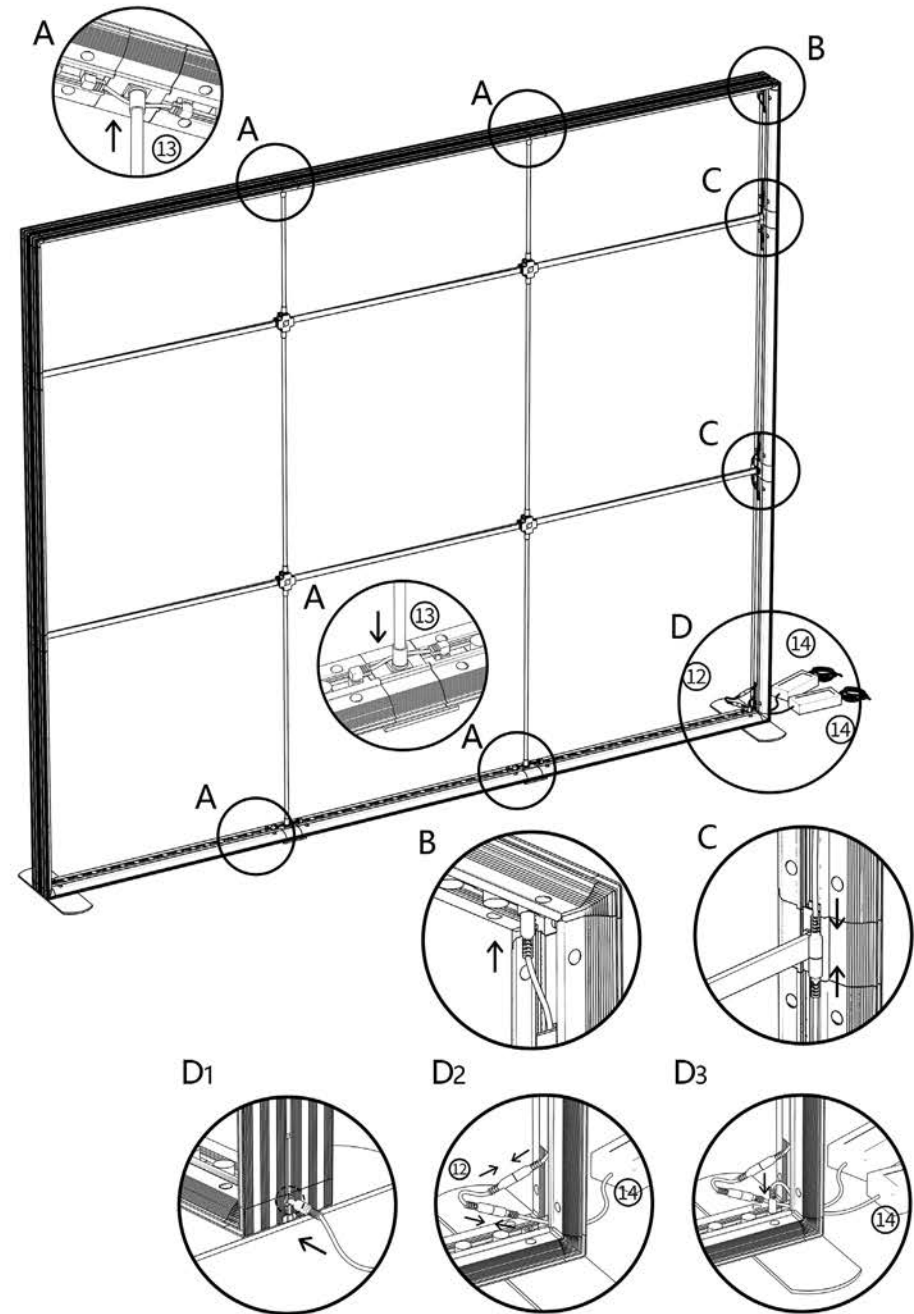
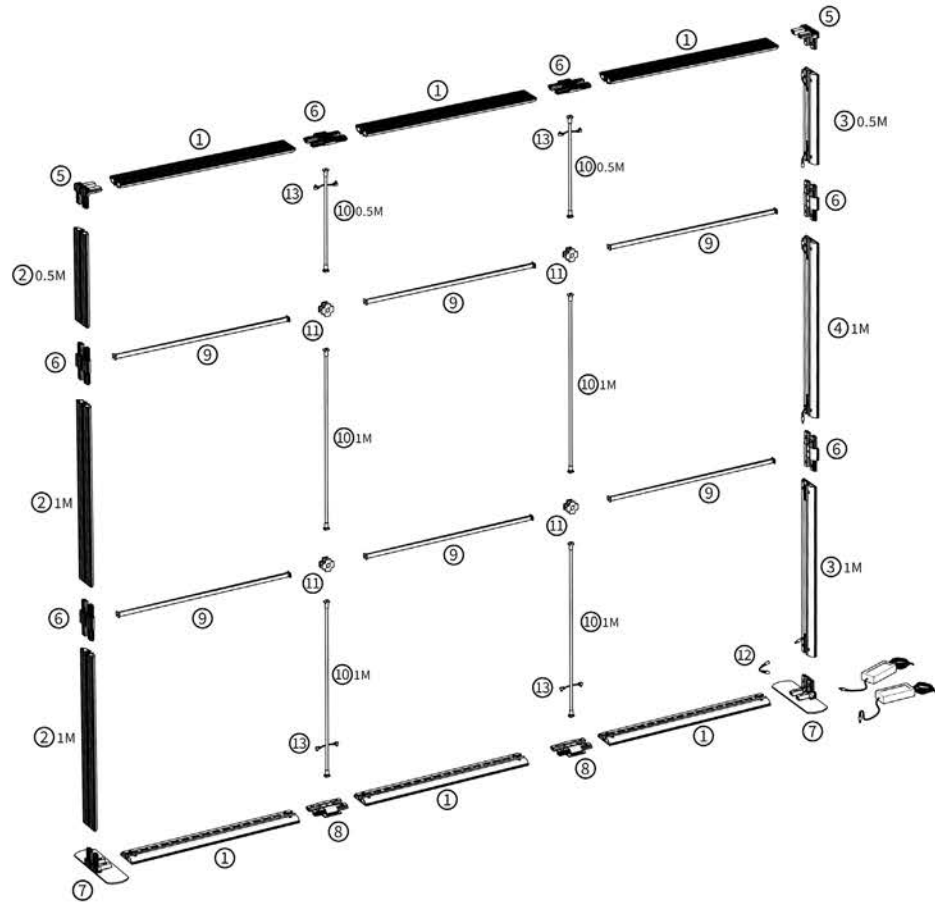
27

8

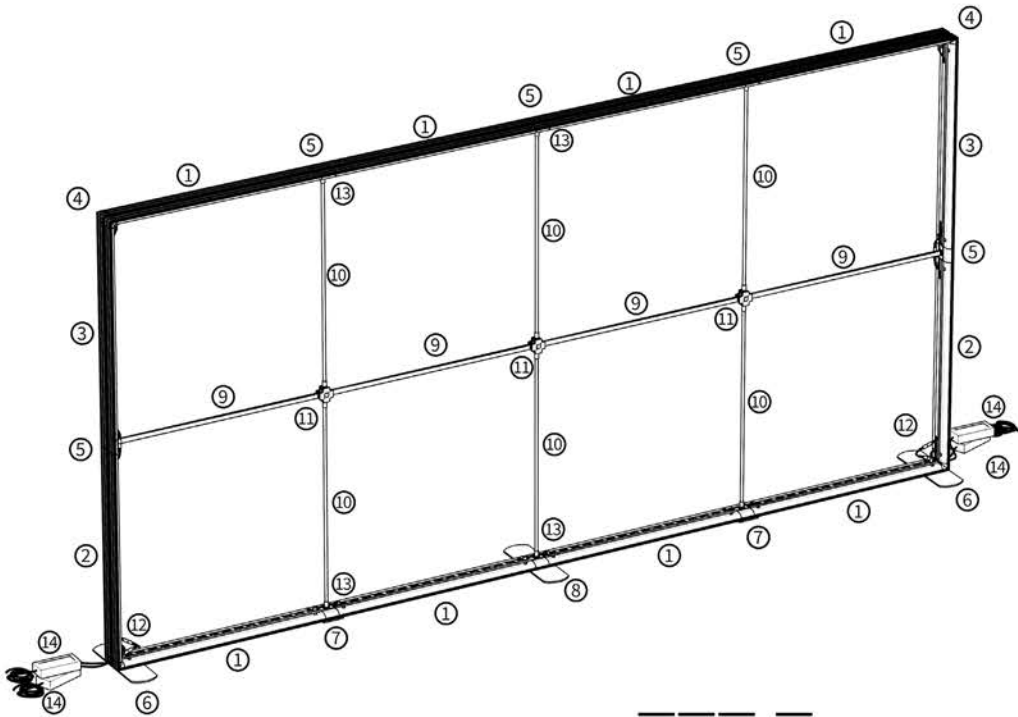


28


2500/2850/3000X2500(1000+1000+500)




3500/3850/4000X1500(1000+500)
 3500/3850/4000X2000(1000+1000)
 3500/3850/4000X2250(1250+1000)
 3500/3850/4000X2500(1250+1250)




Module Light Box


- 

①
Horizontal Profile x 8




②
Extrusion for female & male connecting wire x 2




③
Extrusion for double male connecting wire x 2
- 


④
Corner Part x 2




⑤
Connector Part x 5




⑥
Base Foot x 2





⑦
Base Foot x 2
Using For Big Size
- 

⑧
Base Foot x 1
Using For Big Size




⑨
Support Pole x 4




⑩
Round Shape Support Pole x 6
- 


⑪
Cross Part x 3



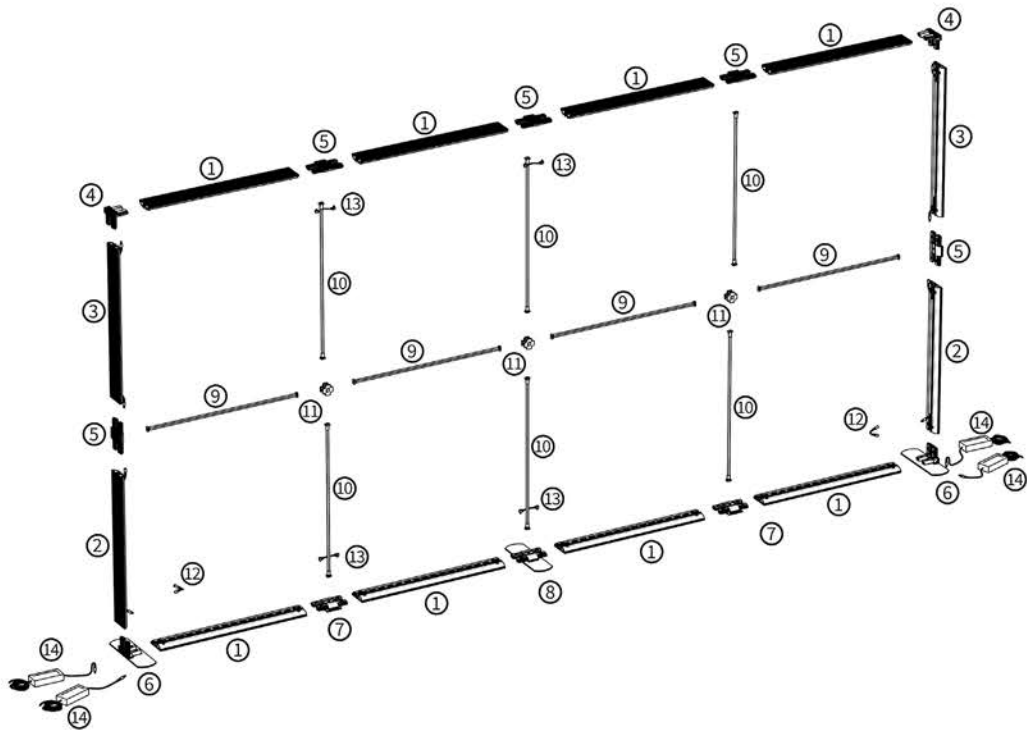
⑫
Double Female Connecting Wire x 2



⑬
Double Male Connecting Wire x 4

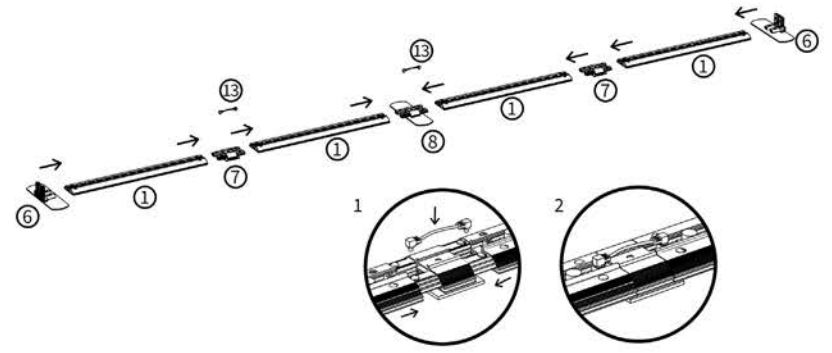


⑭
Power Supply x 4

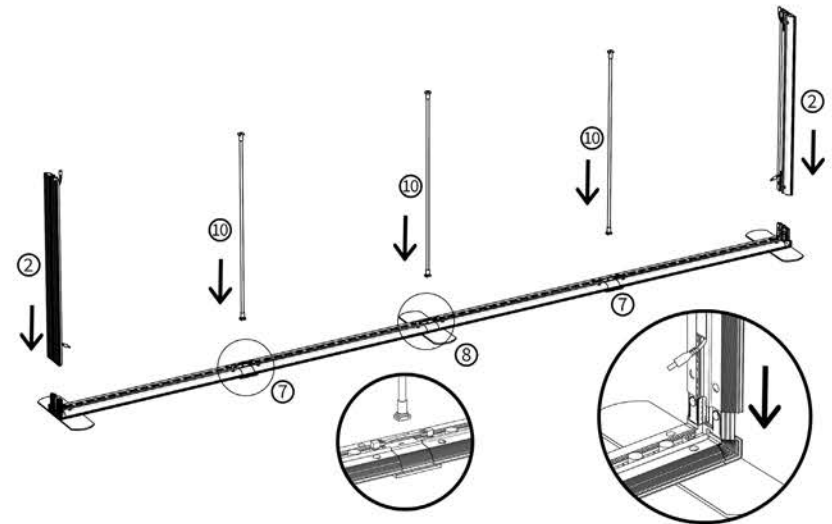


33

1

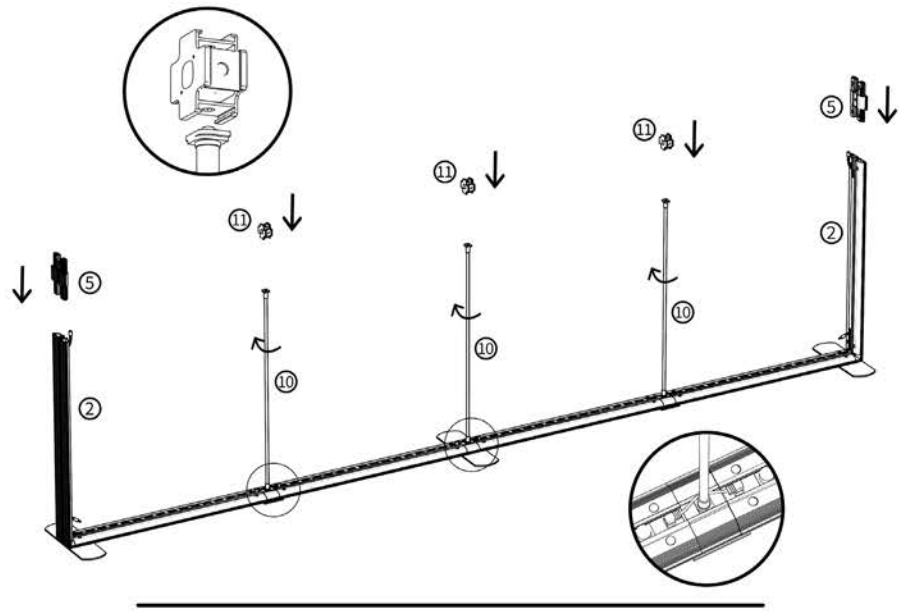


2

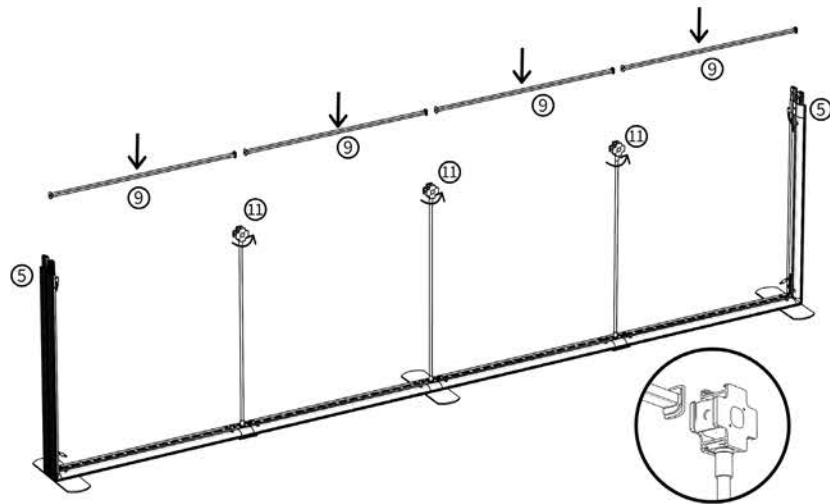


34

3

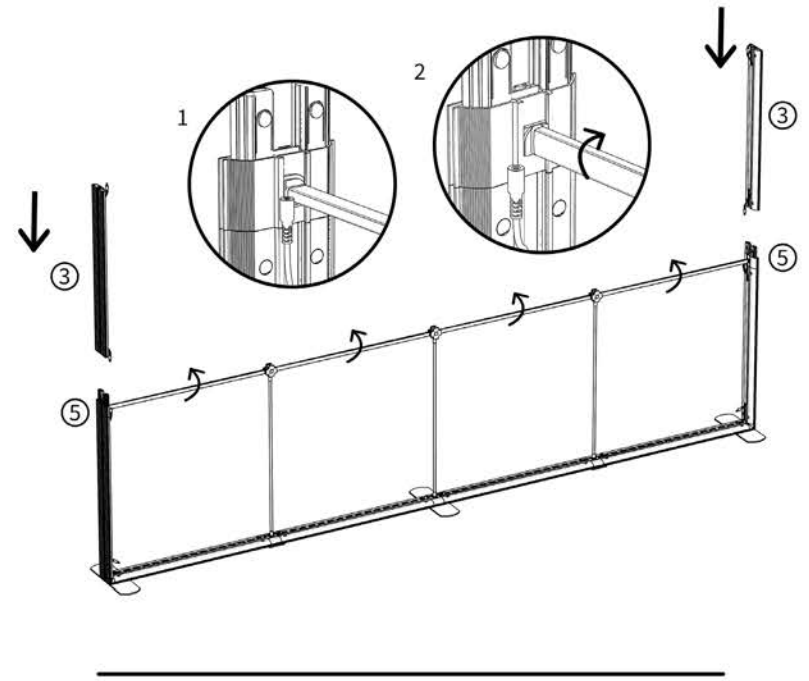


4

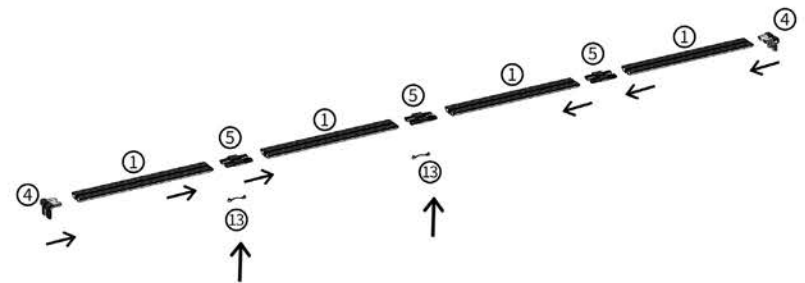


35

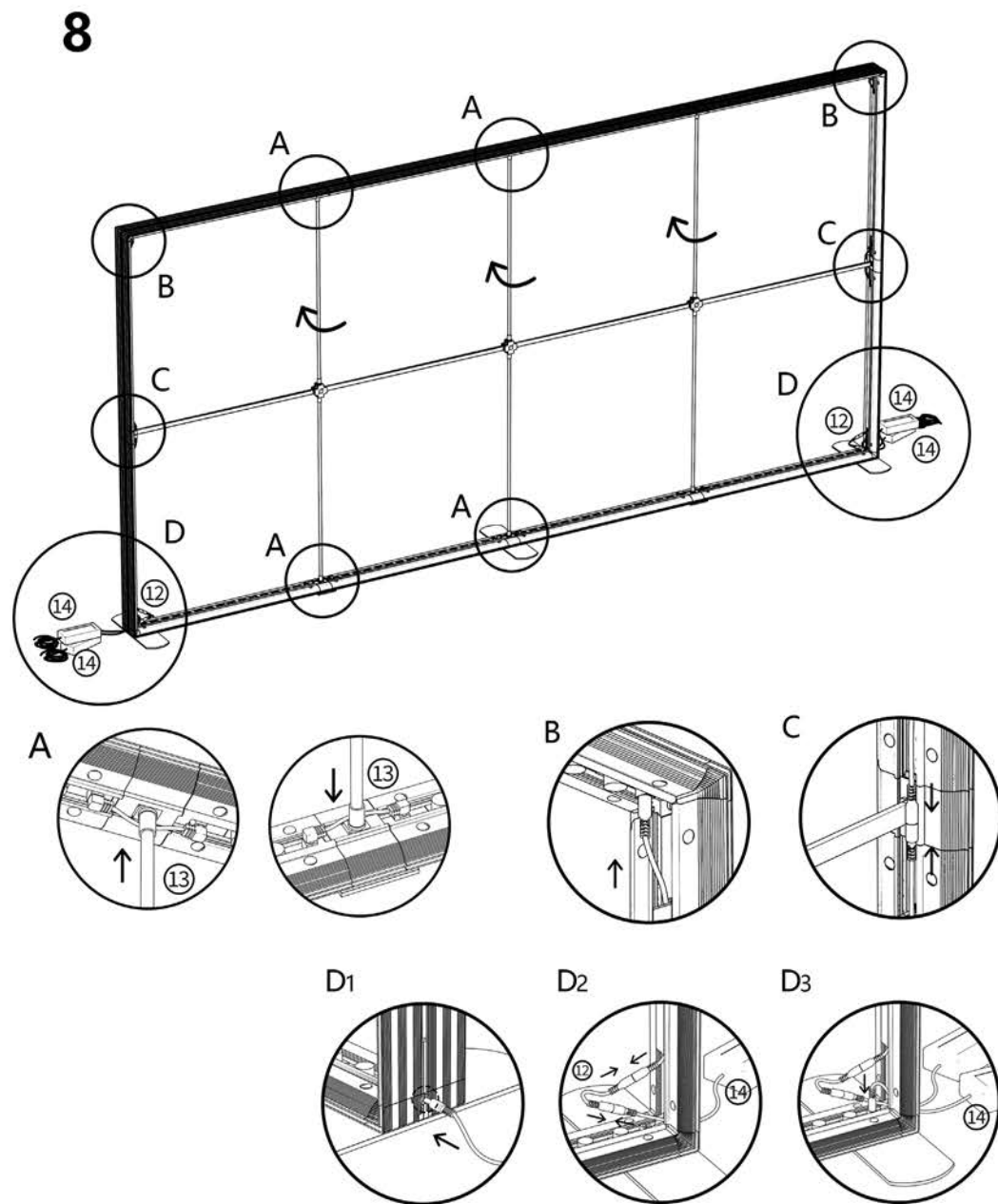
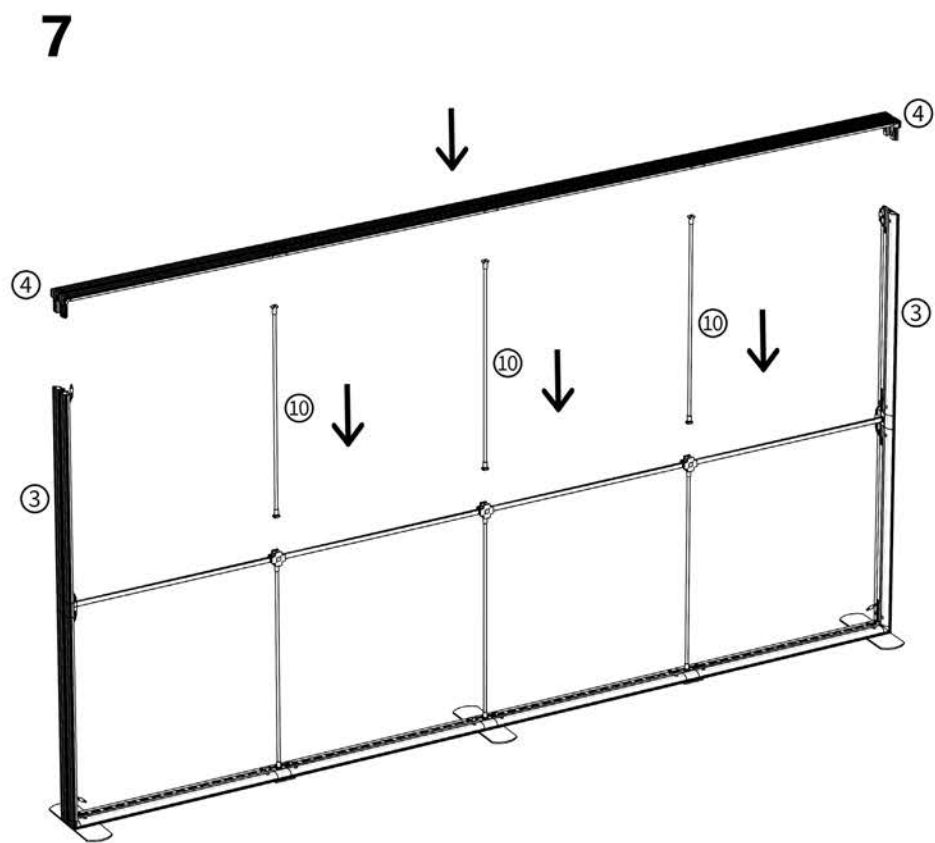
5



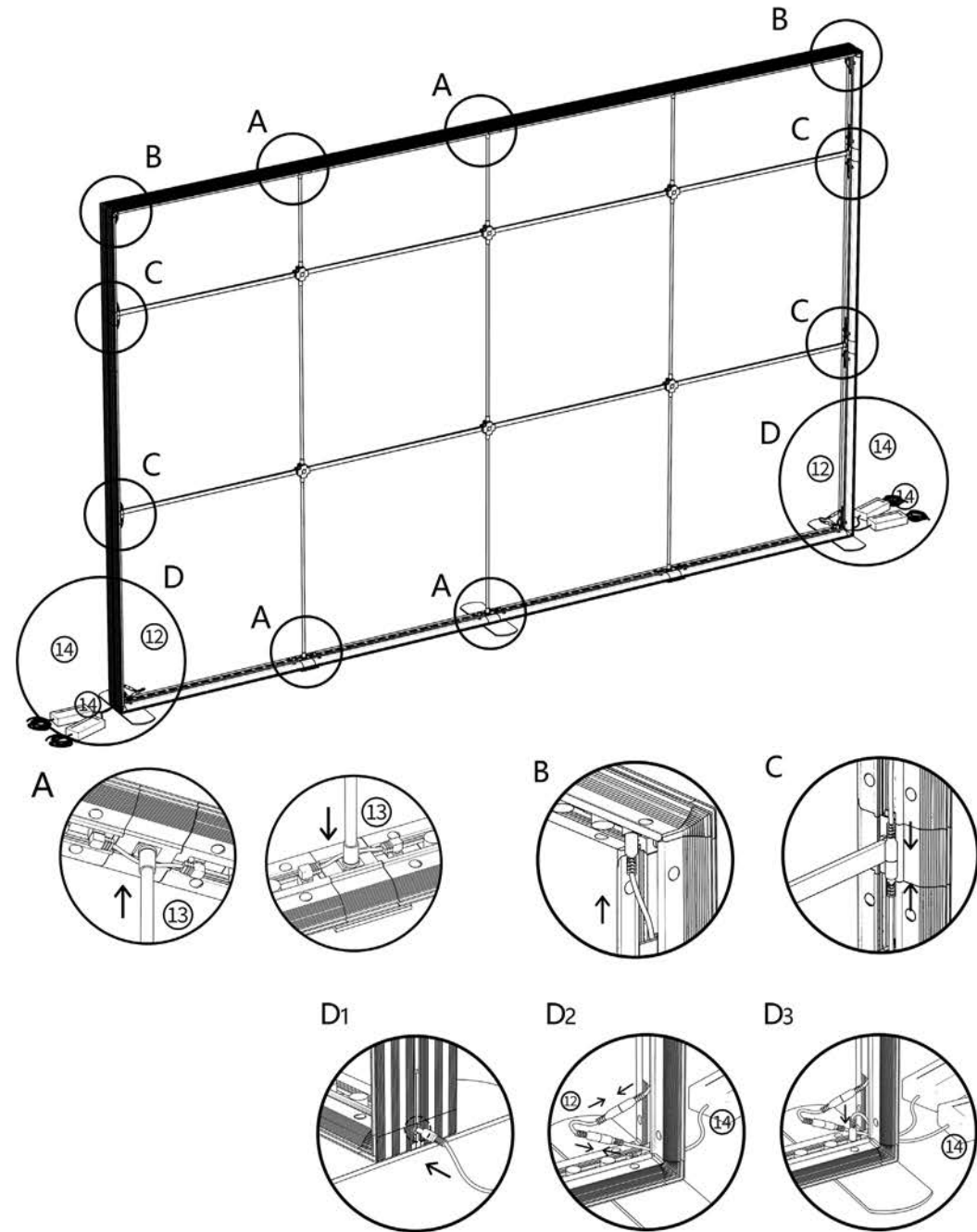
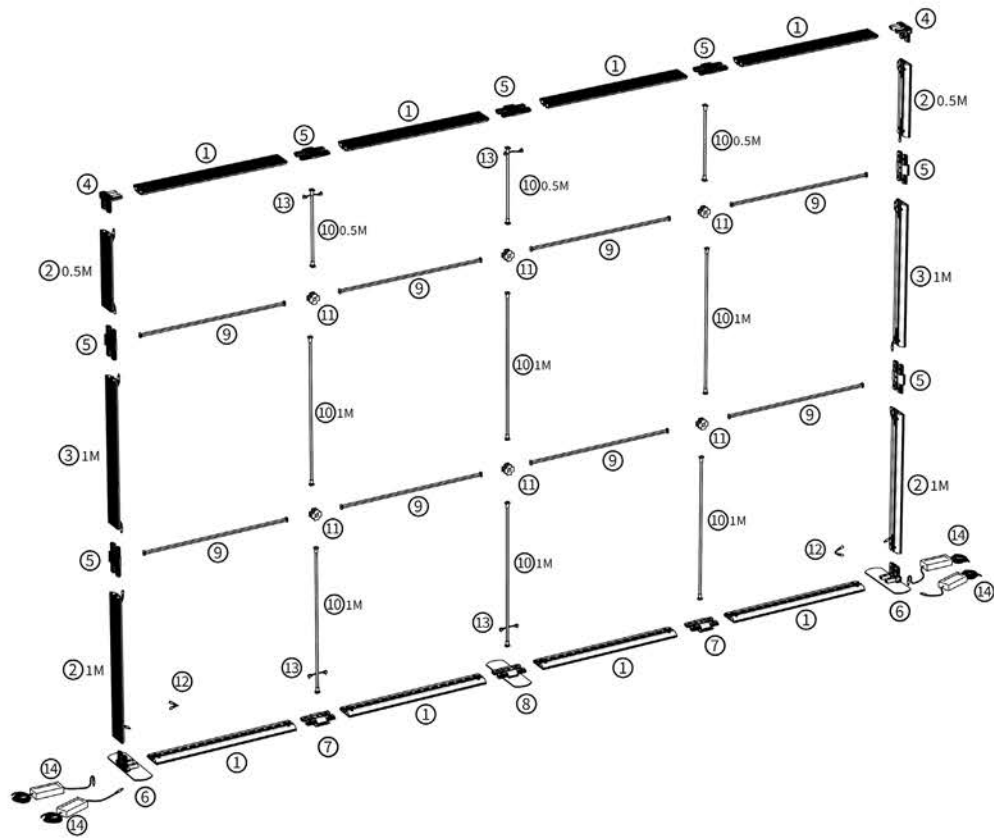
6



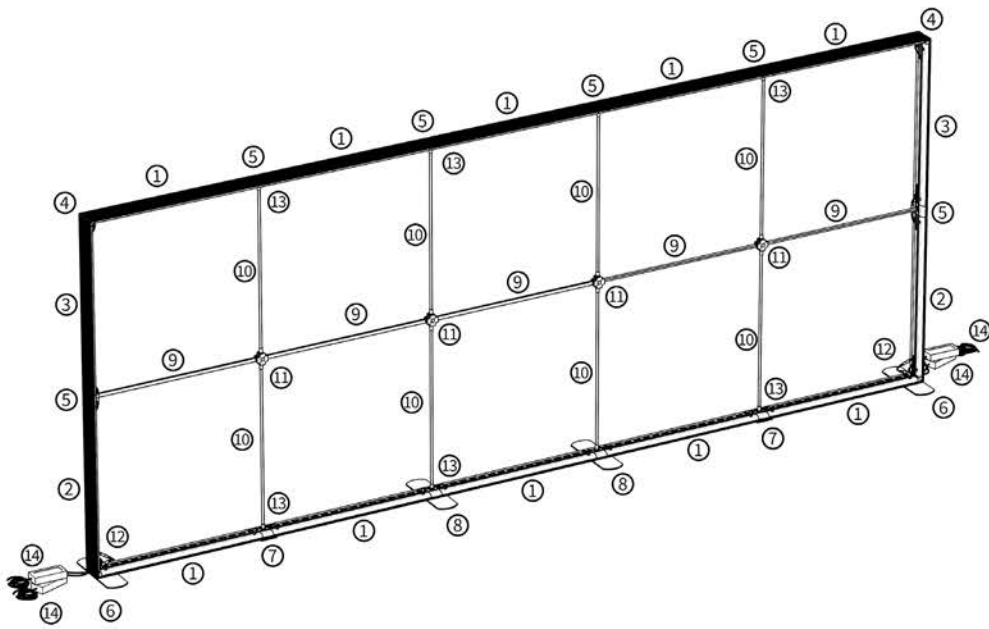
36



3500/3850/4000X2500(1000+1000+500)




4500/4850/5000X1500(1000+500)
 4500/4850/5000X2000(1000+1000)
 4500/4850/5000X2250(1250+1000)
 4500/4850/5000X2500(1250+1250)




Module Light Box

- ①




Horizontal Profile x 10

②




Extrusion for female & male connecting wire x 2

③




Extrusion for double male connecting wire x 2
- ④



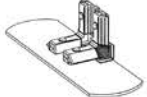
Corner Part x 2

⑤




Connector Part x 6

⑥

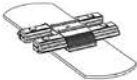


Base Foot x 2

⑦




Base Foot x 2
Using For Big Size
- ⑧




Base Foot x 2
Using For Big Size

⑨




Support Pole x 5

⑩




Round Shape Support Pole x 8
- ⑪




Cross Part x 4

⑫




Double Female Connecting Wire x 2

⑬

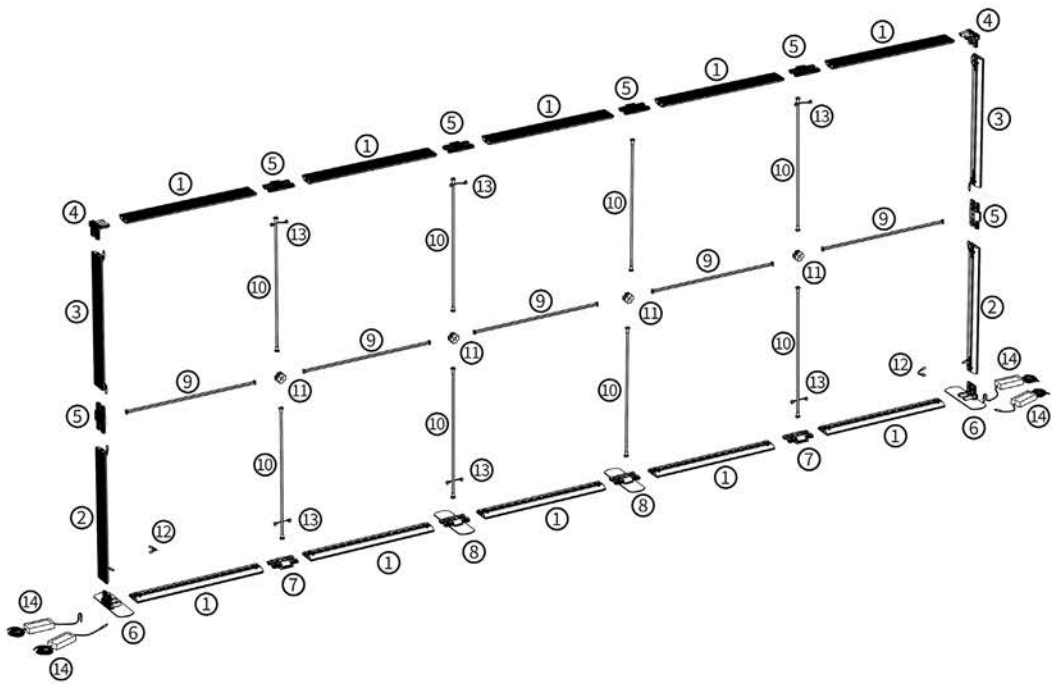


Double Male Connecting Wire x 6

⑭

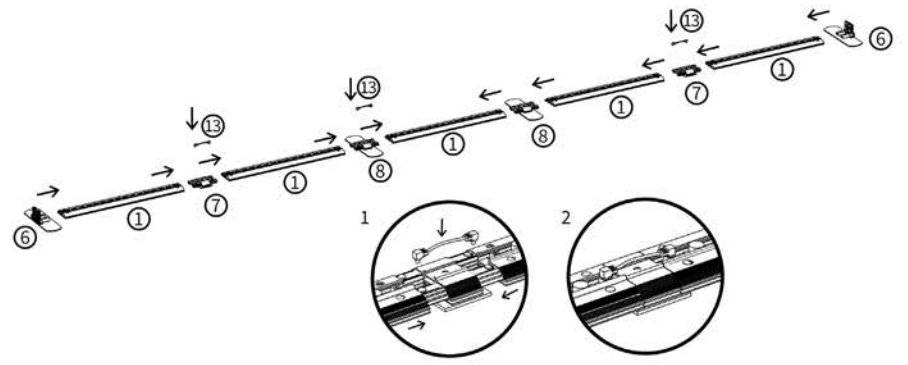


Power Supply x 4

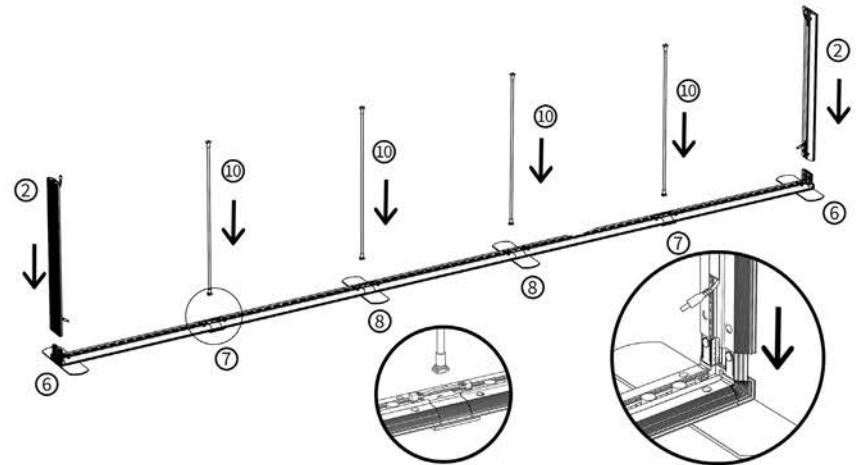


43

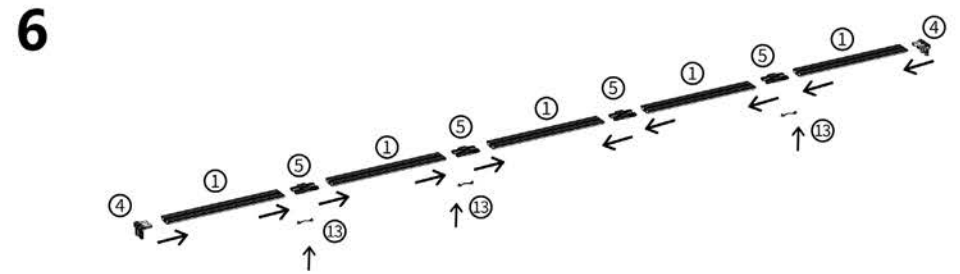
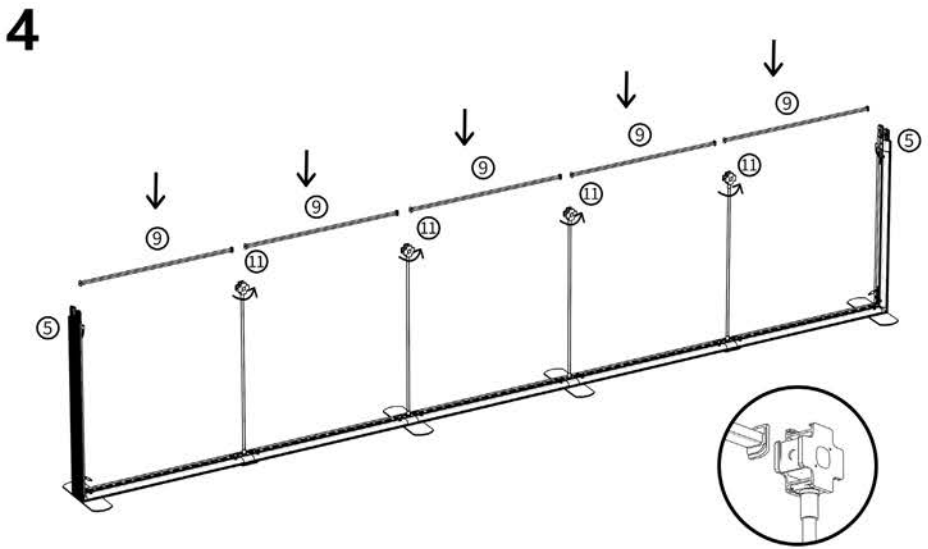
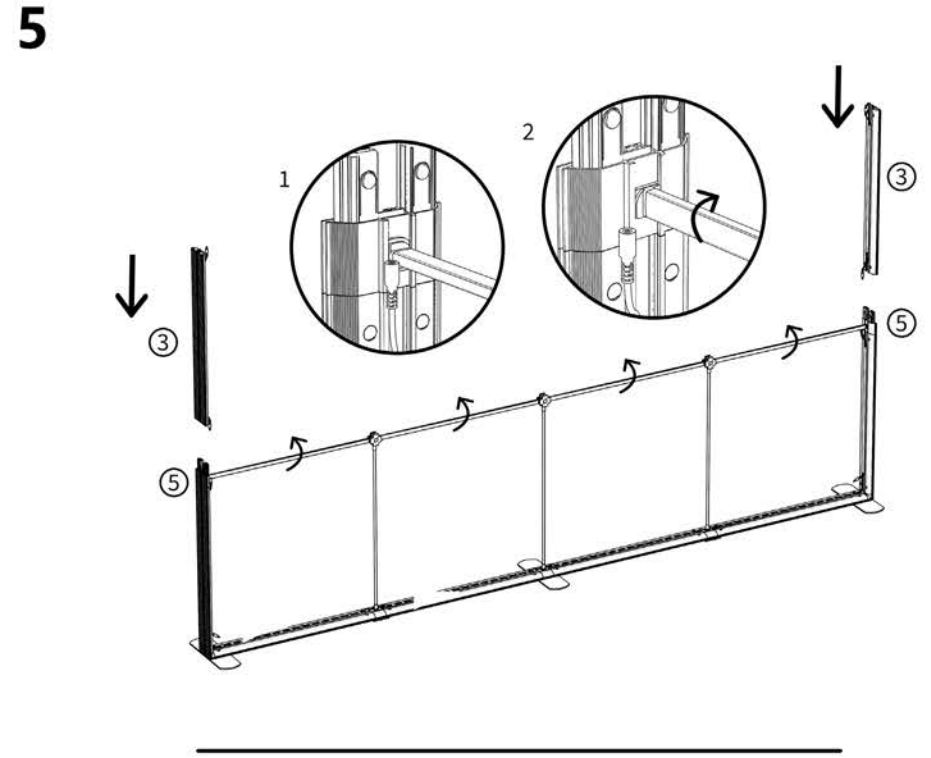
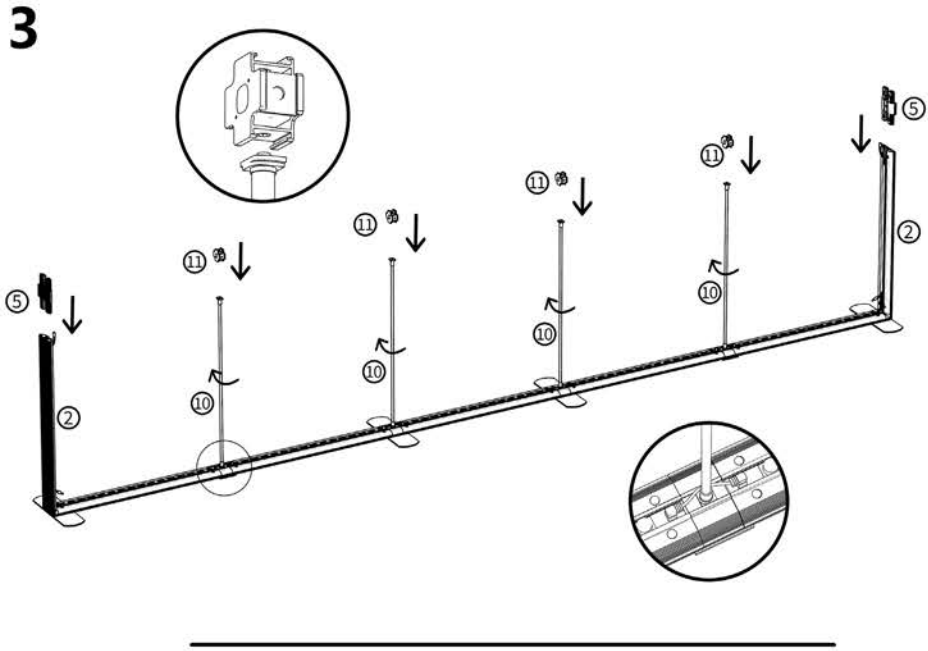
1



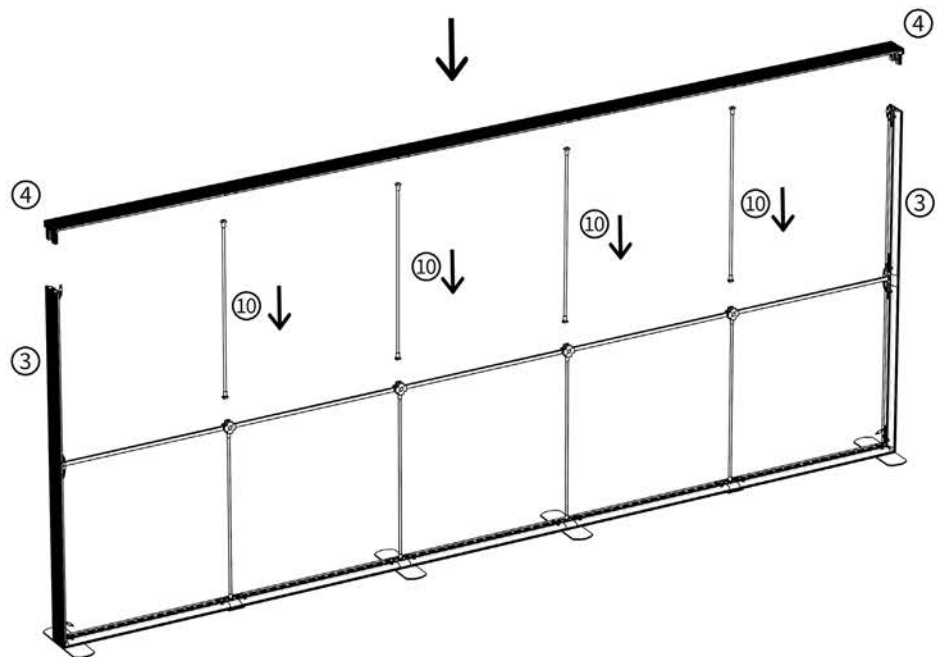
2



44

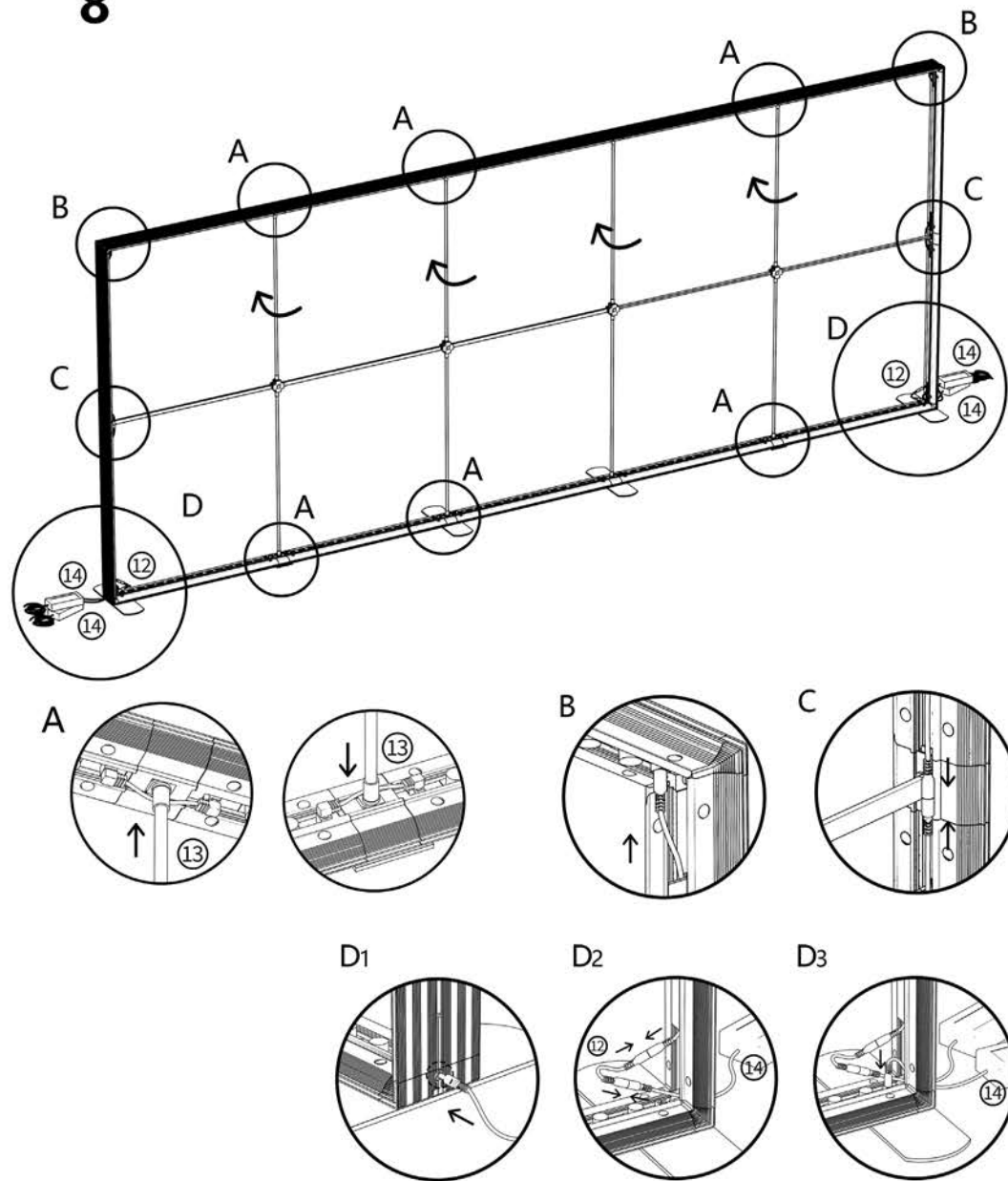


7



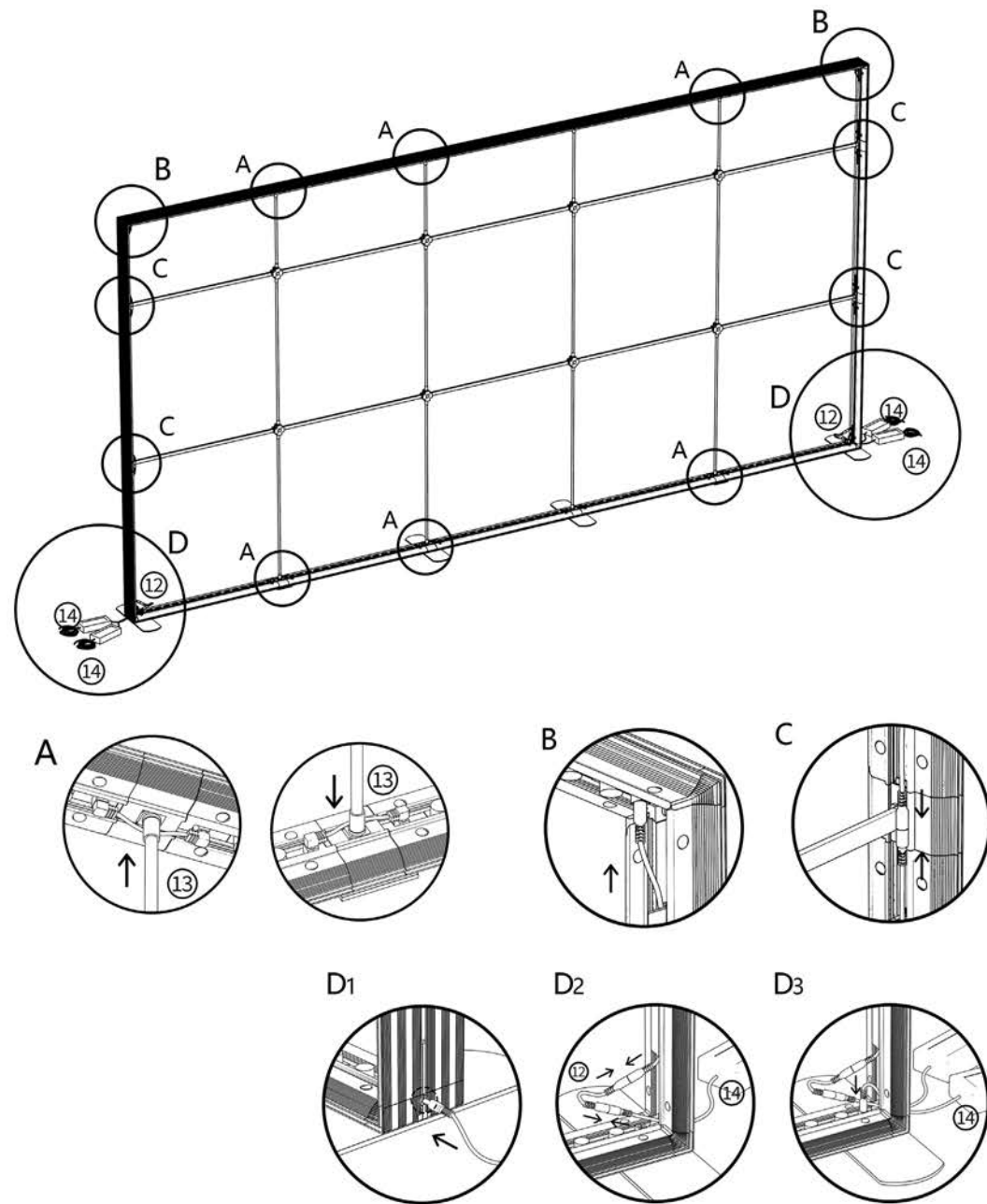
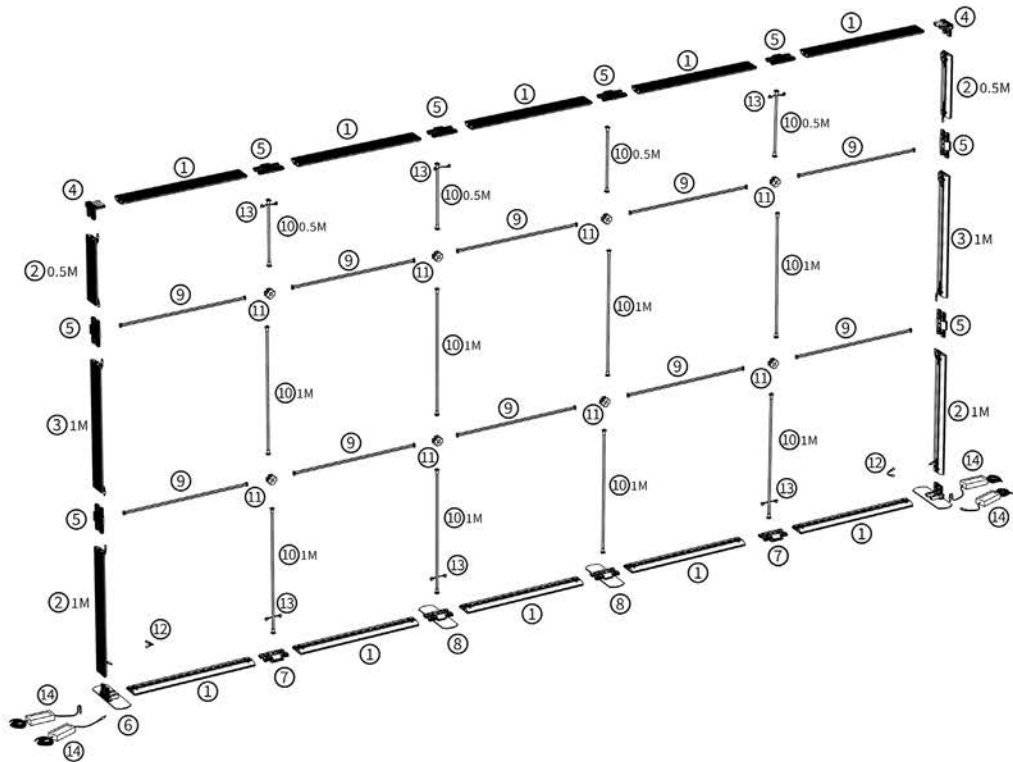
47

8

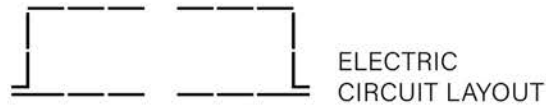
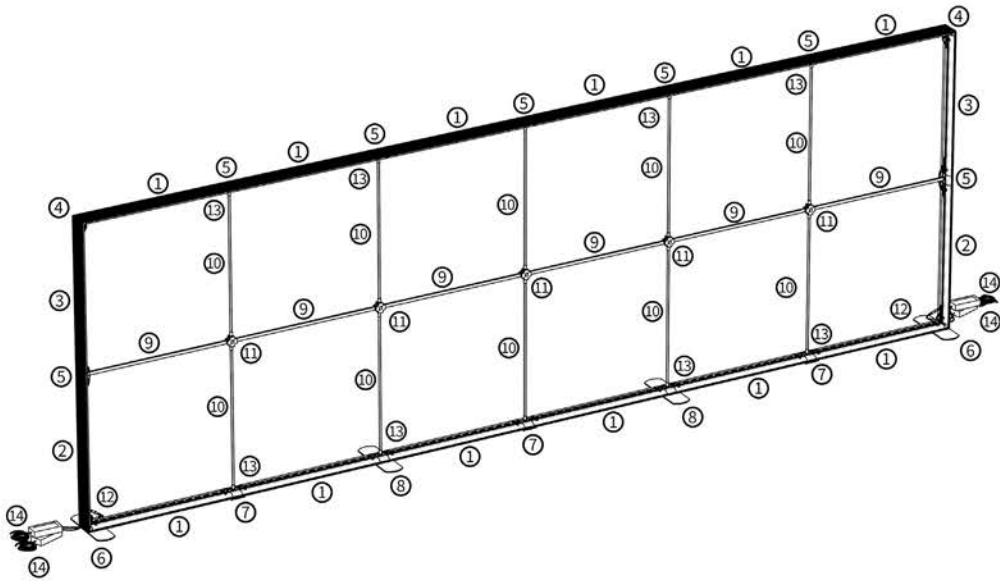


48

4500/4850/5000X2500(1000+1000+500)




5500/5850/6000X1500(1000+500)
 5500/5850/6000X2000(1000+1000)
 5500/5850/6000X2250(1250+1000)
 5500/5850/6000X2500(1250+1250)




Module Light Box

- ①




Horizontal Profile x 12

②




Extrusion for female & male connecting wire x 2

③




Extrusion for double male connecting wire x 2
- ④




Corner Part x 2

⑤




Connector Part x 7

⑥




Base Foot x 2

⑦




Base Foot x 3
Using For Big Size
- ⑧




Base Foot x 2
Using For Big Size

⑨




Support Pole x 6

⑩




Round Shape Support Pole x 10
- ⑪




Cross Part x 5

⑫



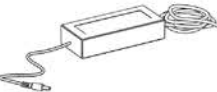
Double Female Connecting Wire x 2

⑬

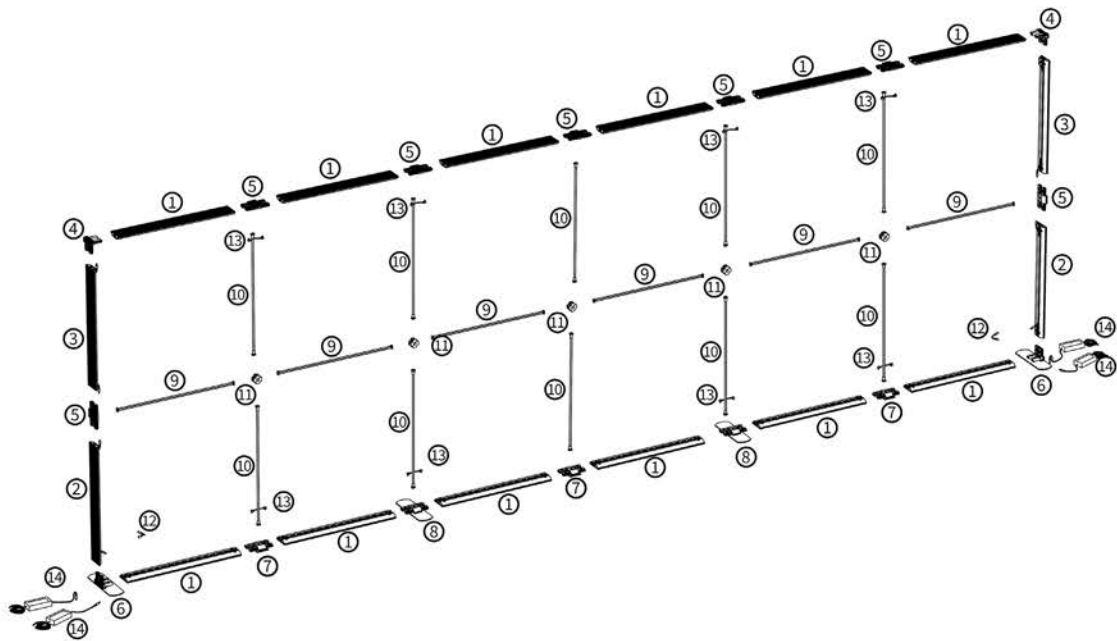


Double Male Connecting Wire x 8

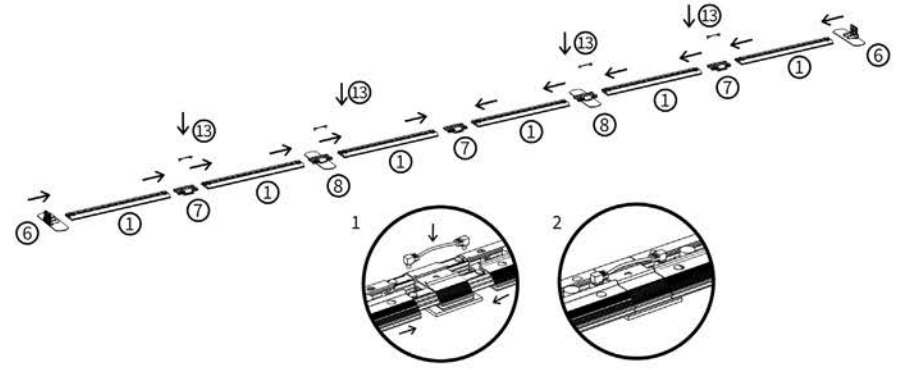
⑭



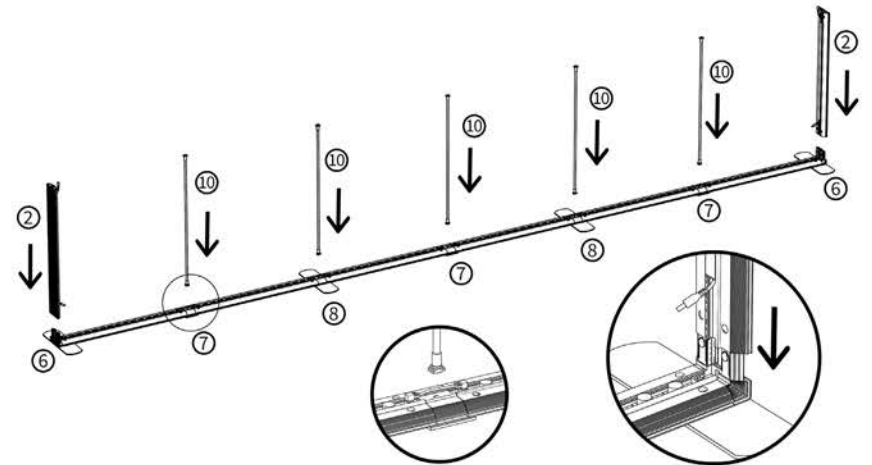
Power Supply x 4



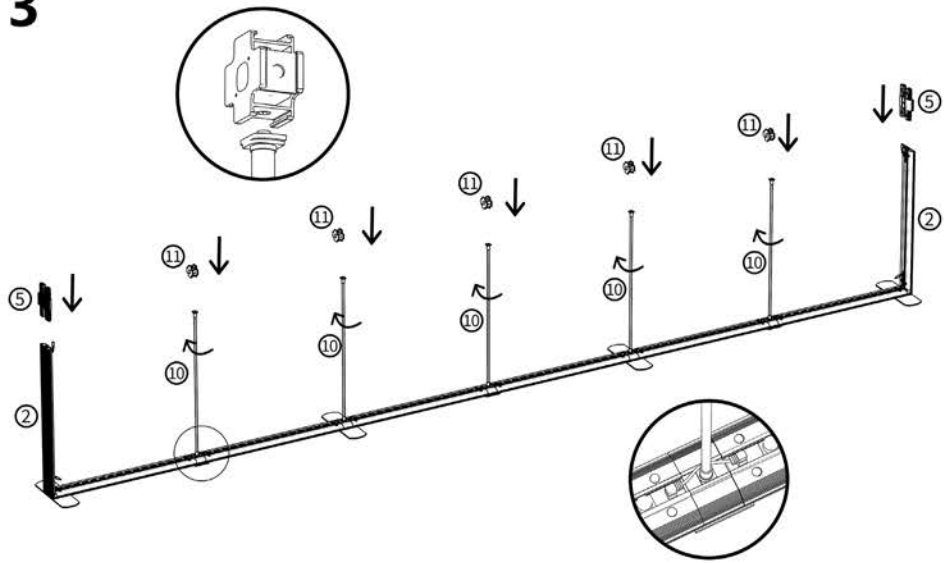
1



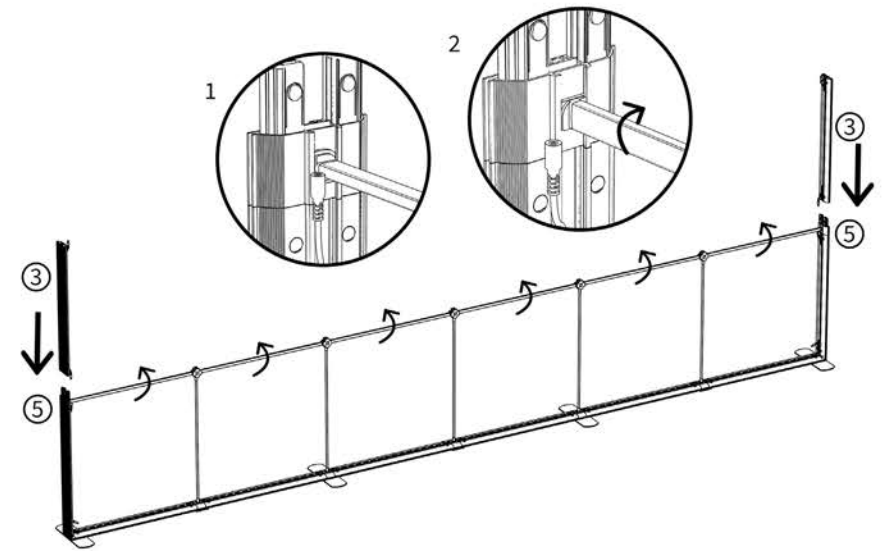
2



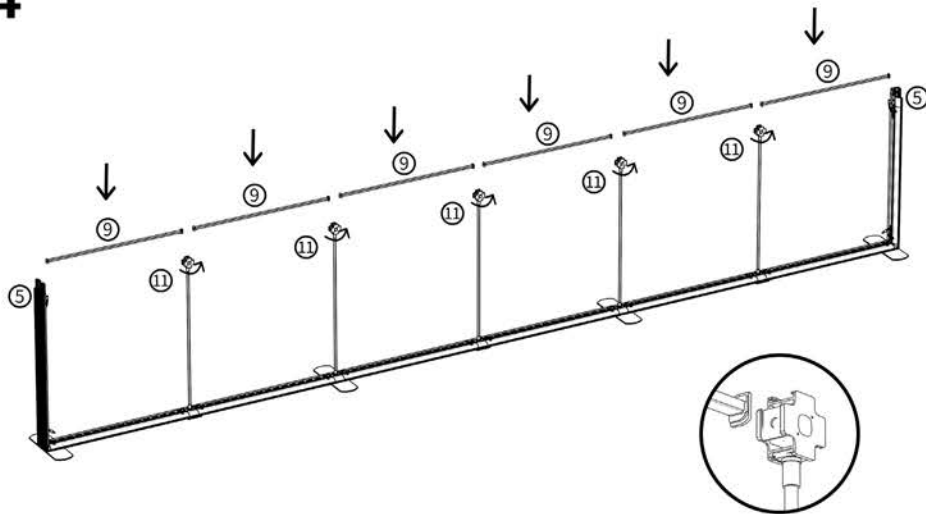
3



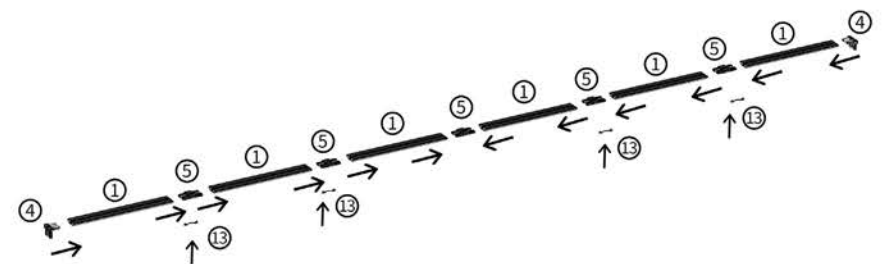
5



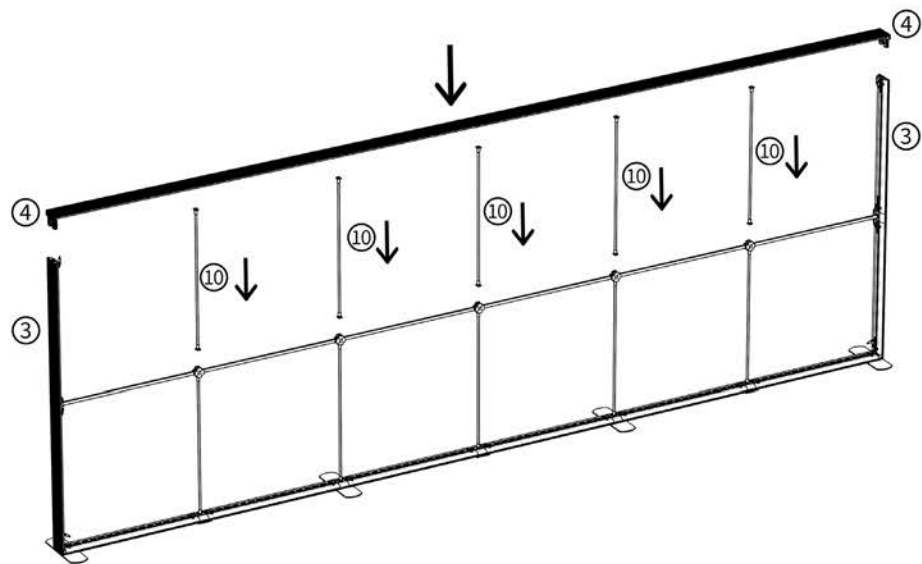
4



6

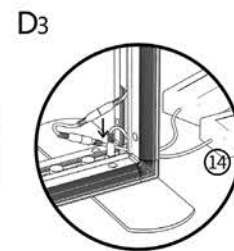
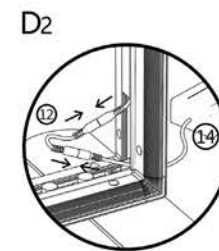
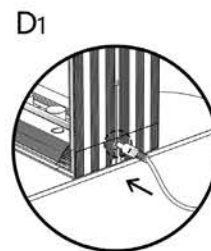
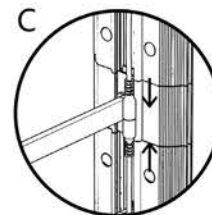
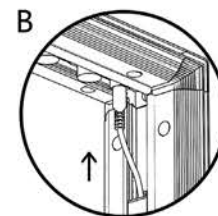
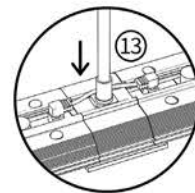
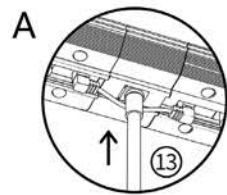
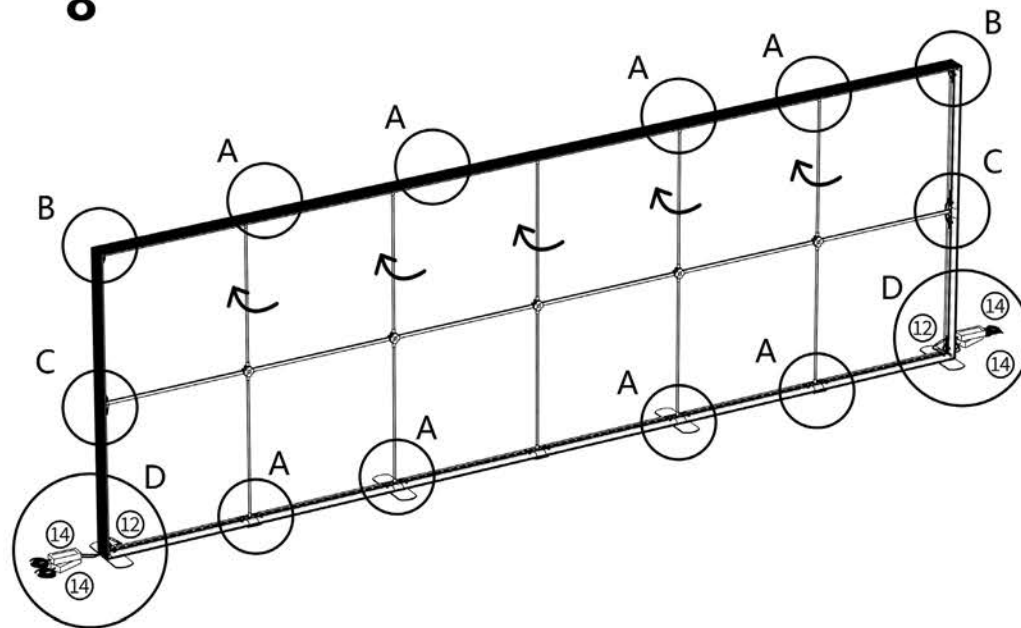


7



57

8



58

5500/5850/6000X2500(1000+1000+500)

