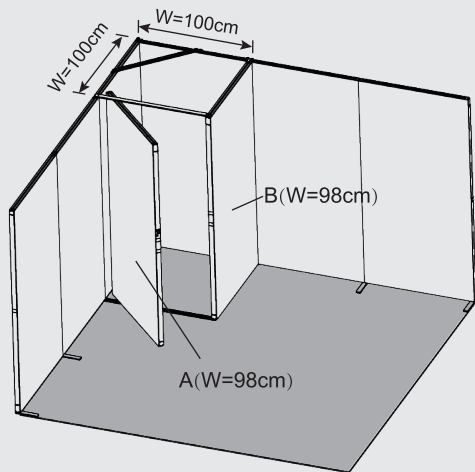
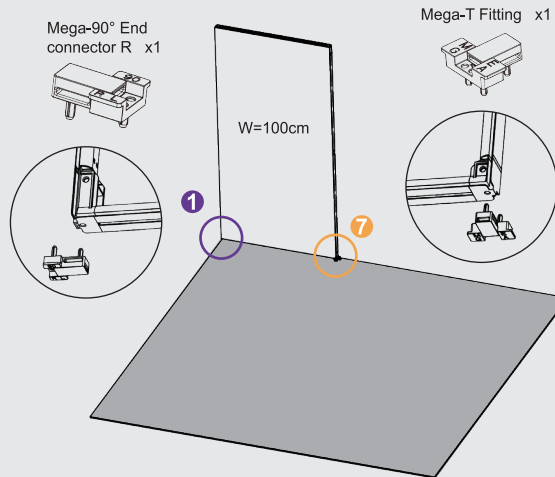


# Installation instruction for Stocking Room

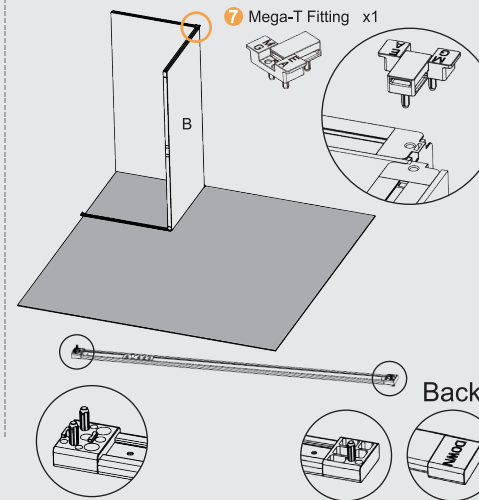
## Stocking Room Finished Overview



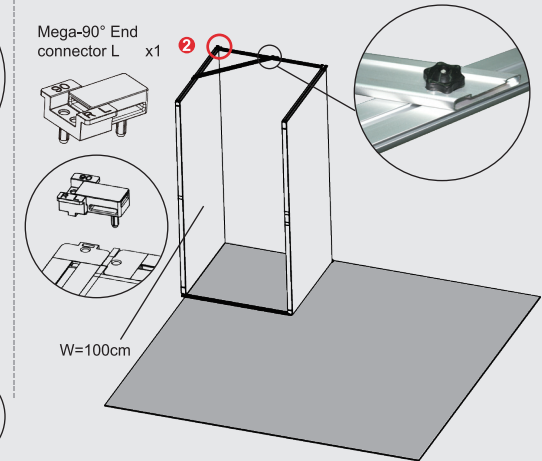
- 1** Install 100cm wide frame with T fitting (7) and 90° connector R (1) at bottom



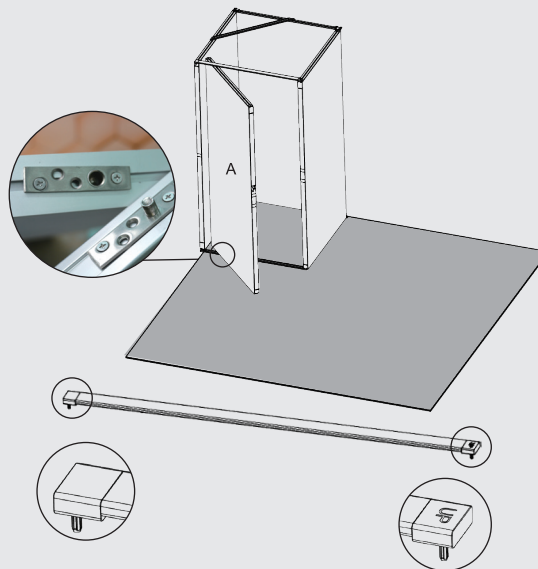
- 2** Install Panel B, insert T fitting connector and Bottom Beam



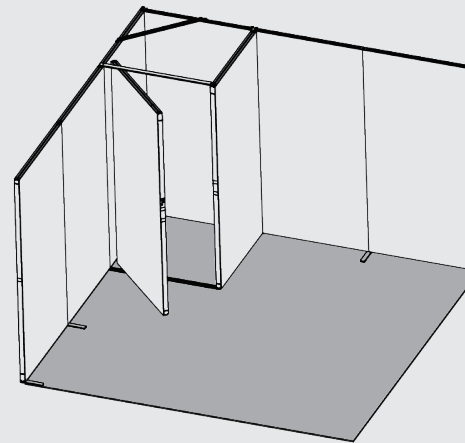
- 3** Install another 100cm wide frame by inserting into 90° connector R and bottom beam. And install the reinforced bar with screws



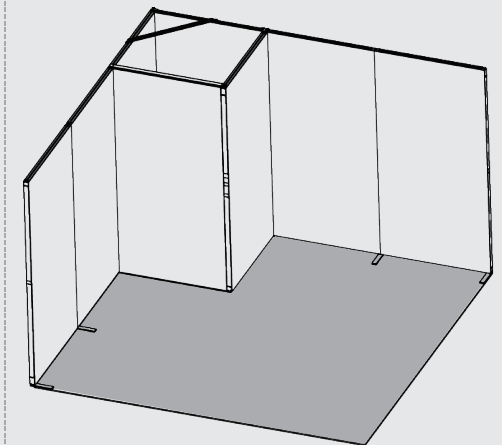
- 4** Install Panel A then install Top Beam



- 5** Install other frame walls



- 6** Finished overview with the door closed



Disassemble in the reverse order.  
Caution: Make sure the graphic is folded neatly and save it in bag after using, to avoid wrinkle.

PLEASE CONTACT US IF THERE IS ANY QUESTIONS.