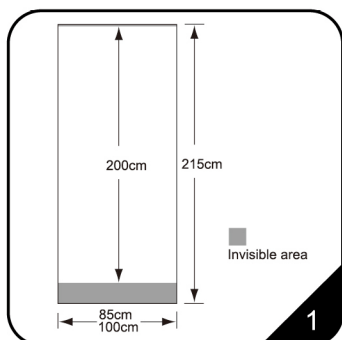


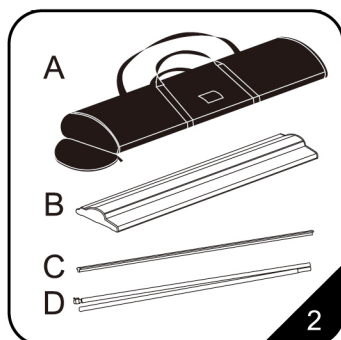
# INSTALLATION STEPS 08.05

**Clip roller. Fast and easy to alter graphics.**

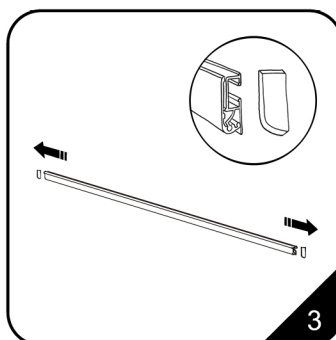


1. The overall width of stand is 85cm or 100cm, height is 215cm, the visible graphic height is 200cm.

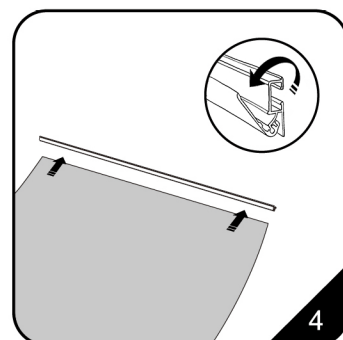
**!** Our size in the manual is just a reference. Please make the graphic according to your actual purchased size.



2. The case should contain:  
Installation instruction  
A. black bag B. a base unit  
C. top snap bar D. telescopic pole

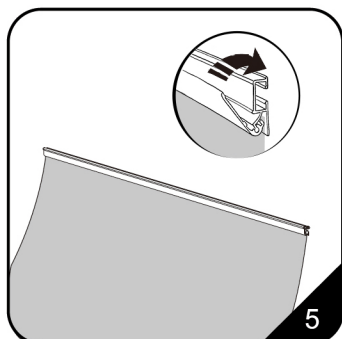


3. Remove the plastic end caps from the top snap bar.

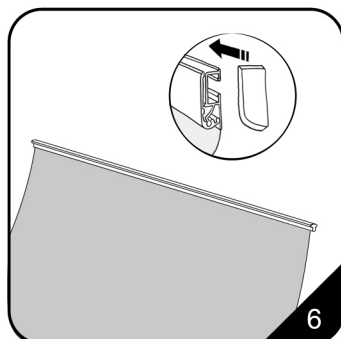


4. Open the top clip bar then insert the top edge of the graphic.

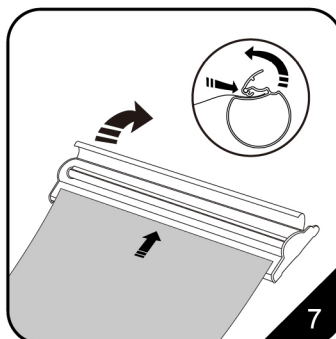
**!** The graphic thickness should be 0.2mm~ 0.4mm. Double layers for thin material.



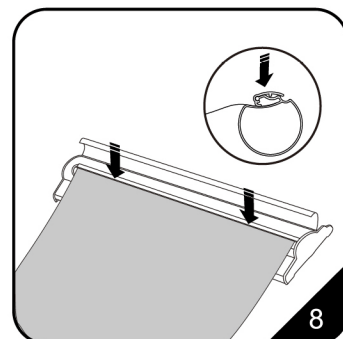
5. Close the snap bar lips to secure the graphic.



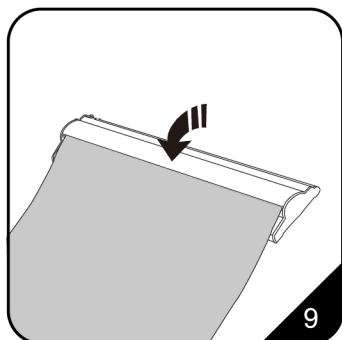
6. Finish the top by re-attaching the plastic end caps.



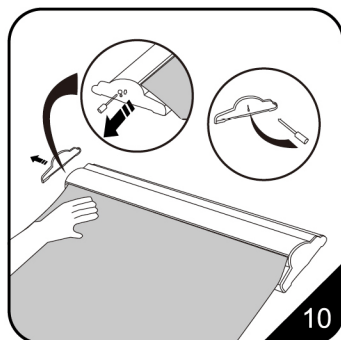
7. Open the cover of the base unit, then open the roller's lid, slide the bottom edge of the graphic under the lid.



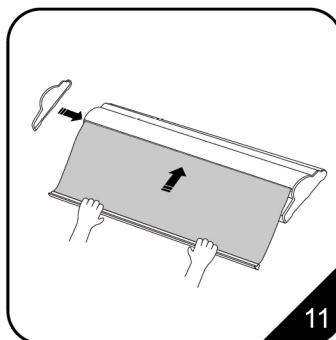
8. Close the roller's lip to secure the graphic.



9. Close the roller's lip to secure the graphic.



10. Peel off the left cover, remove the screw underneath the chrome end of the base and detach. Then, with the graphic held firmly, carefully pull out the retaining pin, then put it into the cover.



11. Carefully allow the graphic to recoil into the base unit (It may be useful to have an assistant hold the base steady), then reattach the chrome cover.

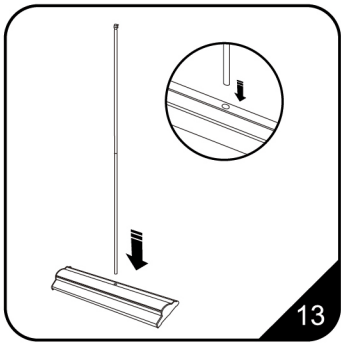


12. The hooked end corresponds to the top and the round end belongs to the bottom base.

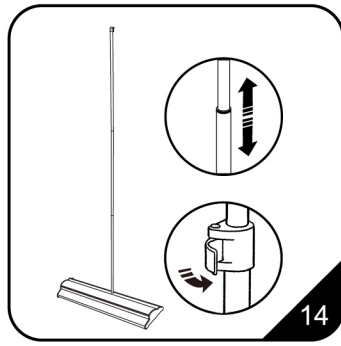
**NEXT PAGE**



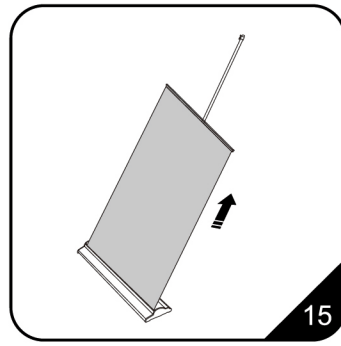
**CAUTION:**  
PLEASE READ THE INSTRUCTIONS BEFORE INSTALLING PRODUCTS



13. Insert the assembled pole into the base hole.



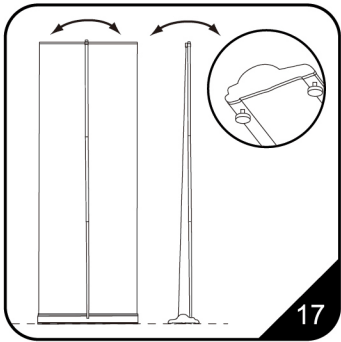
14. Draw out the upper of the telescopic pole to adjust the height to suitable level 160cm-220cm, then circumgyrate to firm it.



15. Pull the graphic completely.

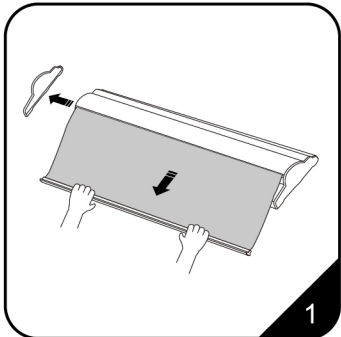


16. The plastic holder at the top of pole slips into the rear slot of the banner beam. A marker on the beam indicates the beam's centre where the pole should be inserted.

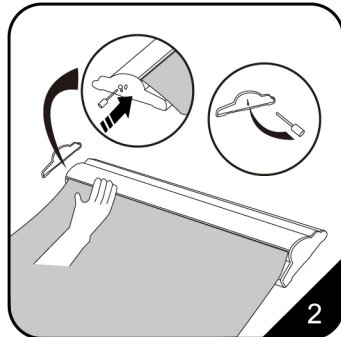


17. The unit can be leveled by adjusting the threaded plastic feet at the bottom of the base unit.

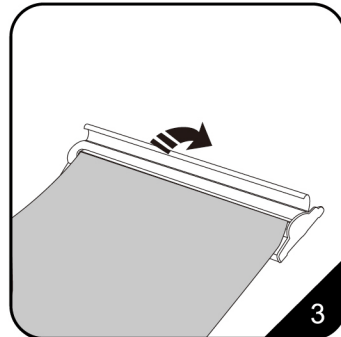
### The follow steps account for altering graphic.



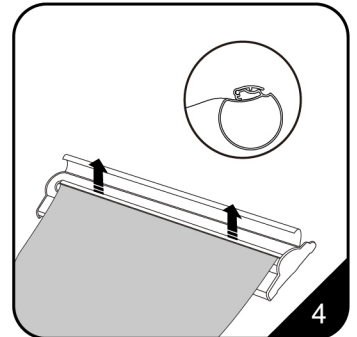
1. Open the chrome end, then carefully allow the graphic to recoil out the base unit fully (It may be useful to have an assistant hold the base steady).



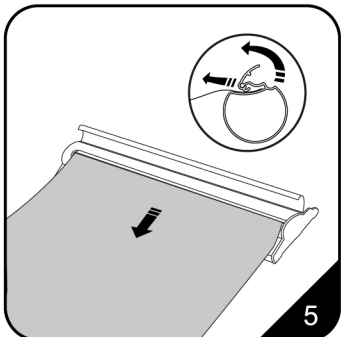
2. Pull the retaining pin out from the cover then carefully put it into the hole where the retaining pin was pulled out. (It may be useful to have an assistant)



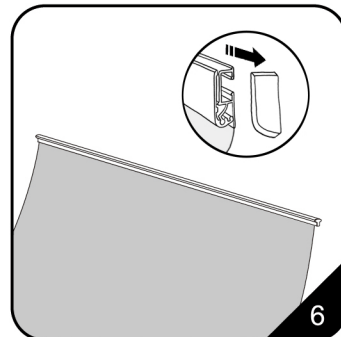
3. Open the cover of the base unit.



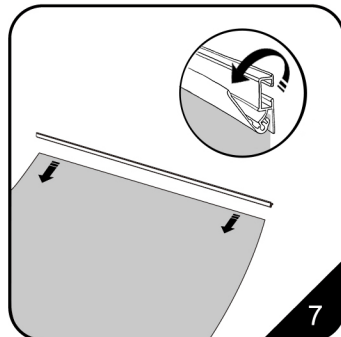
4. Open the roller's lid, then pull the bottom edge of the graphic out the lid.



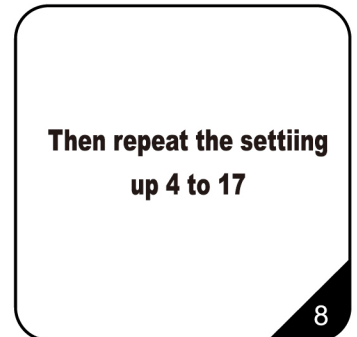
5. Draw out the graphic.



6. Remove the plastic end caps from the upper beam.



7. Swing open the beam's locking lip in order to relax the top edge of the graphic.



**Then repeat the setting up 4 to 17**