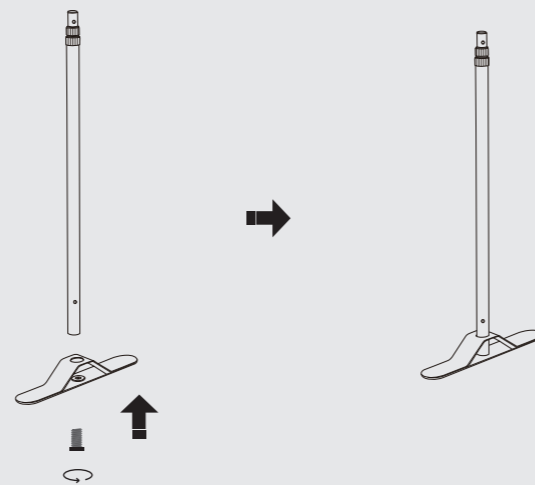


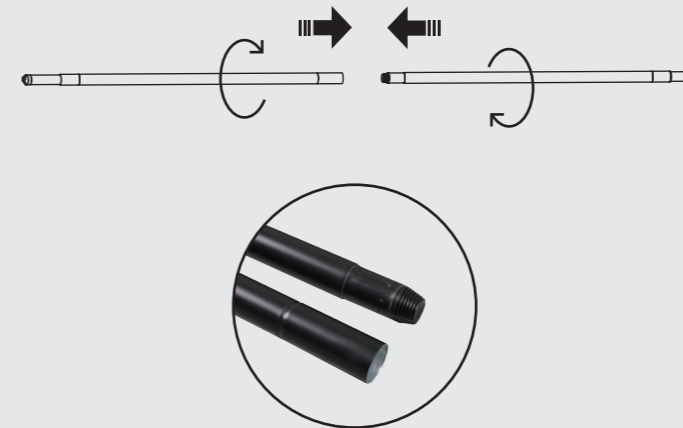
**1** Open the bag and take out all the pieces.



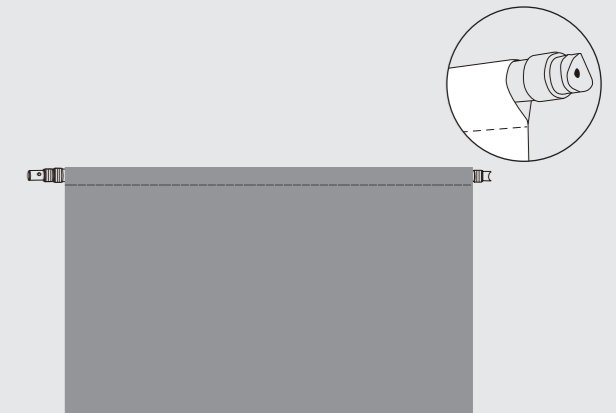
**2** Insert vertical pole into the feet and fix by screw



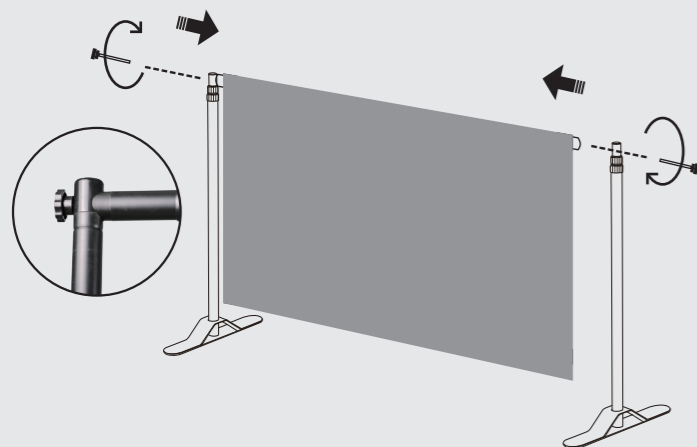
**3** Screw on two upper horizontal pieces, and do the same to the lower horizontal pieces.



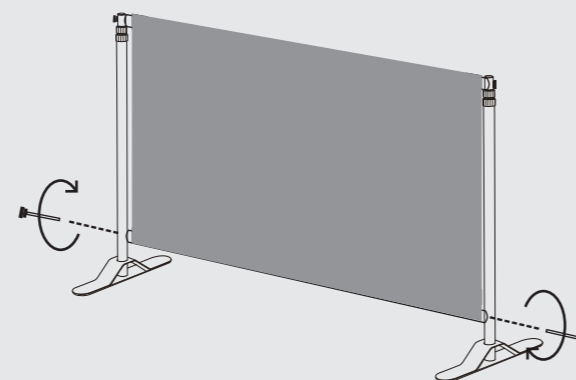
**4** Slide the upper horizontal pole through top pole pocket on the banner.



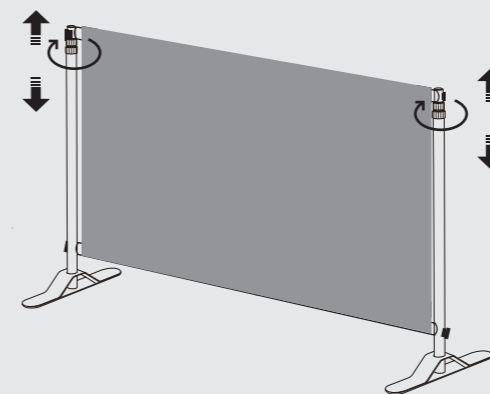
**5** Fix upper horizontal pole by screw



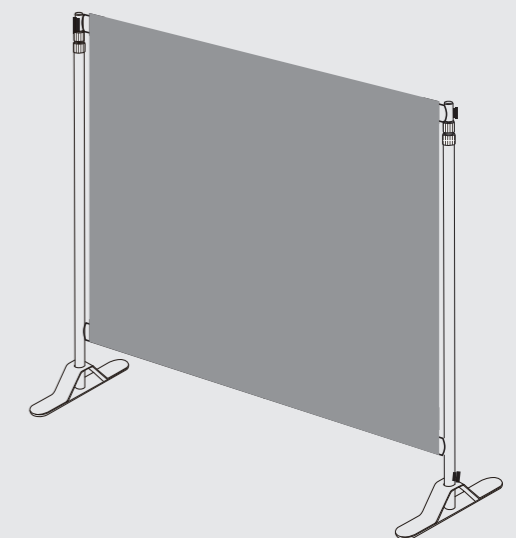
**6** Slide the bottom horizontal pole through bottom pole pocket on the banner and fix it just like step 5.



**7** Loosen the telescoping clamps on the vertical poles, adjust the banner to be well displayed, then tighten the clamps.



**8** Then you have it.



Disassemble in the reverse order.  
Caution: Make sure the graphic is folded neatly and save it in bag after using, to avoid wrinkle.

PLEASE CONTACT US IF THERE IS ANY PROBLEM.